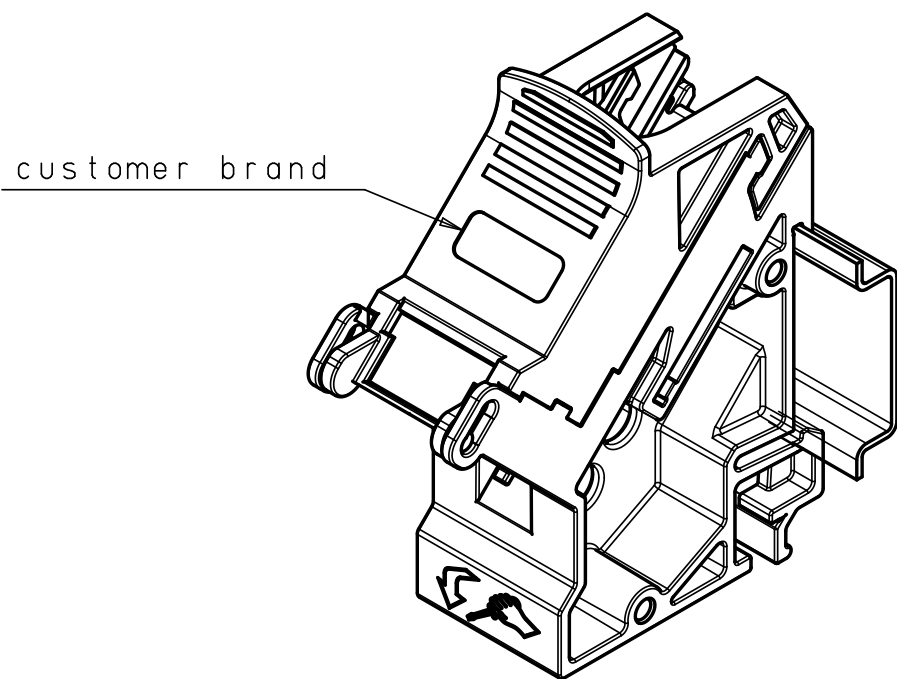
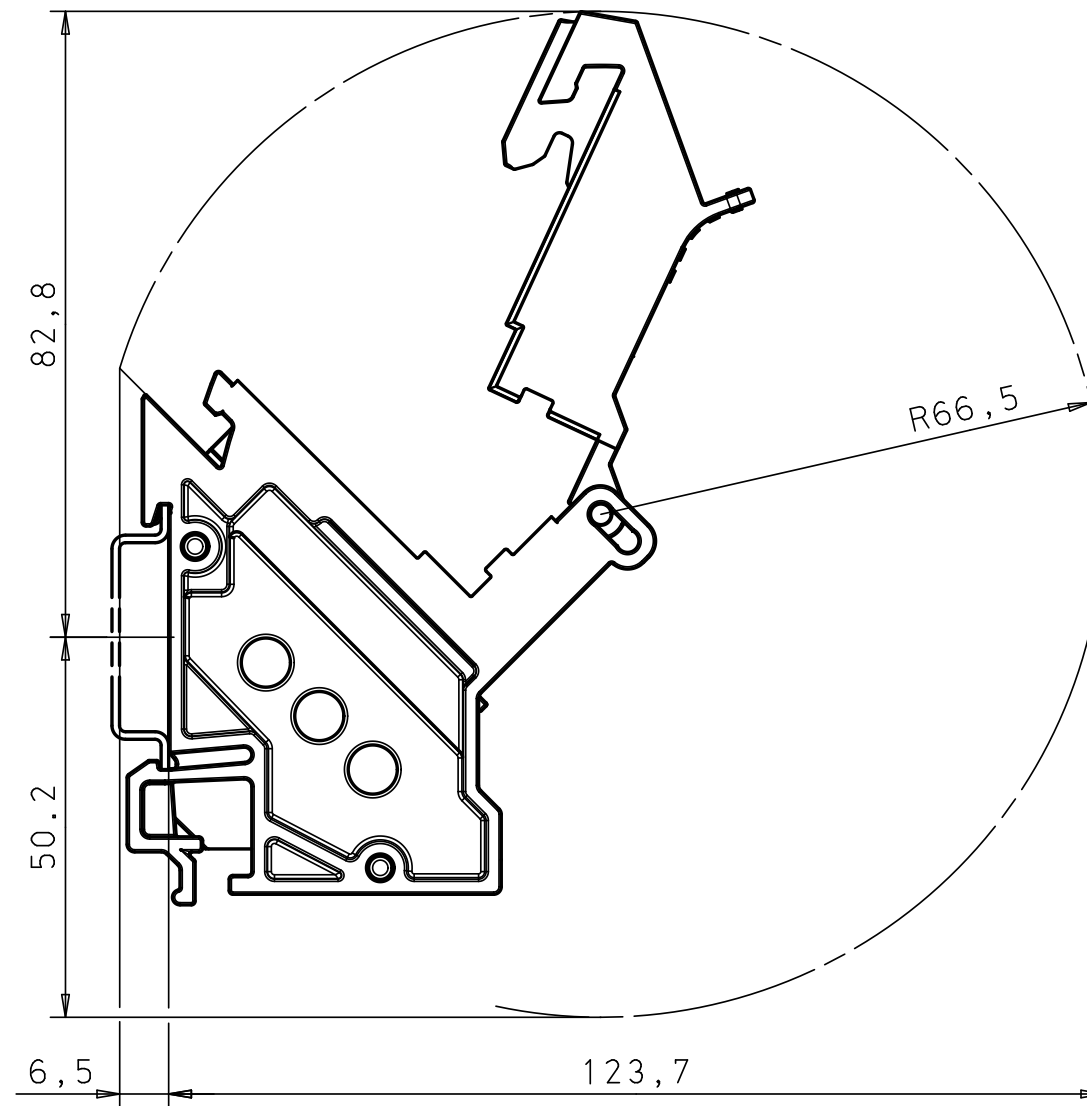
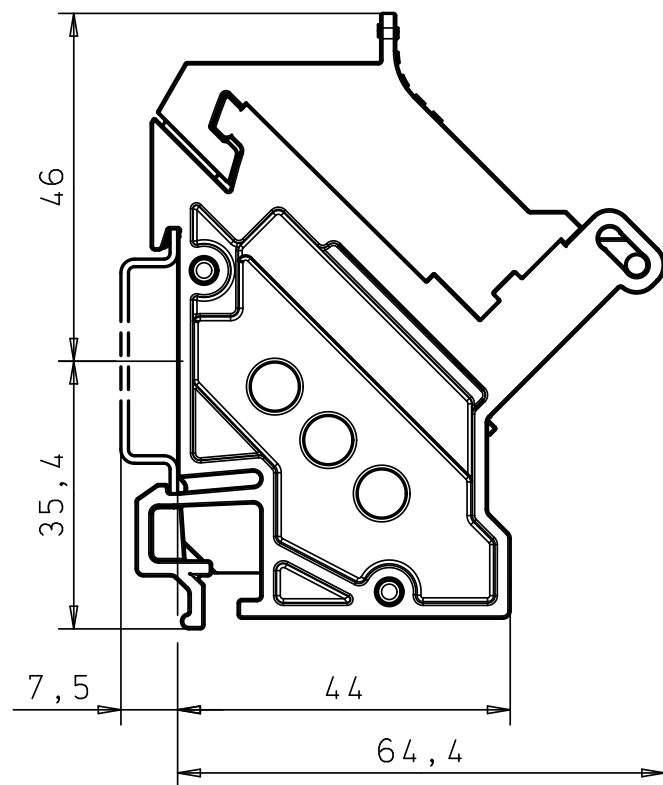
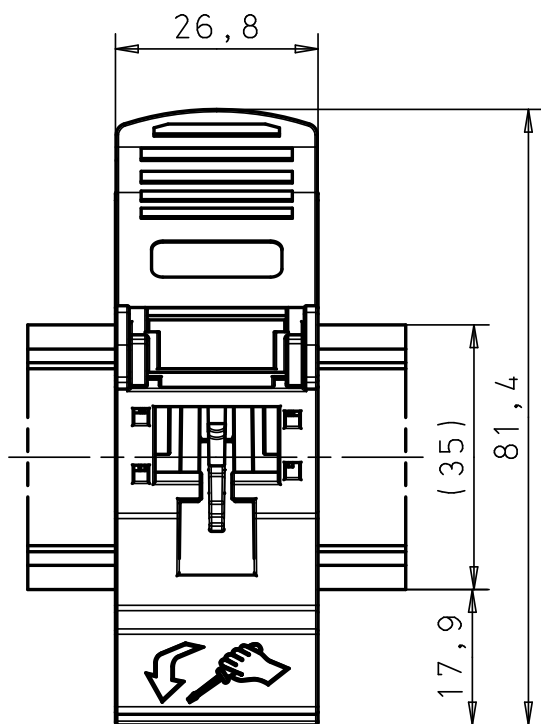



We reserve all rights to this document. The recipient acknowledges this and shall not without our written consent disclose them to any third party and be used for the indicated purpose only.



Angewandte Norm DIN 43880
Gerätebaugröße 1 (ausgenommen Mass h3=46mm)

Applied Norm DIN 43880
Apparatus installation size 1 (excepted measure h3=46mm)

Material		-		Tolerance to		-	
Treatm.		.		Last CH.		22.06.2006	
Colour		.		Dok.No		ZT 059 7653	
Note		.		Repl. for		.	
Description		DRM45 Kundenzeichnung DRM45 Customer Drawing		Scale		1:1	
 Reichle & De-Massari AG Binzstrasse 31 CH-8622 Metzikon Switzerland Telephone +41 44 933 81 11 Telefax +41 44 930 49 41		Type		ST		Form	
		Art No		.		A3	
				80545-7		Index b	
						Version	