



- Suitable for G.657 fibers
- Suitable for RJ45 R&M *freenet* module
- Suitable for splice and pre-termination
- Guaranteed bending radius of 15mm

Technical Data

Criteria	Date / value
Capacity of FO adapters	2
Capacity of RJ45 module R&M <i>freenet</i>	Only 1 in combination with 3/1 variant
Capacity of fibers	4
Suitable for adapters	LC duplex, SC simplex, E2000 simplex / SC-RJ
Suitable for type of splice protection	4x heat shrink protection (2.4 – 2.6mm shrunk condition) 4x mechanical crimp splice protection
Dimension	L = 88mm / T= 88mm / H = 15-33mm
Color of housing / front / cover	White (RAL 9010)

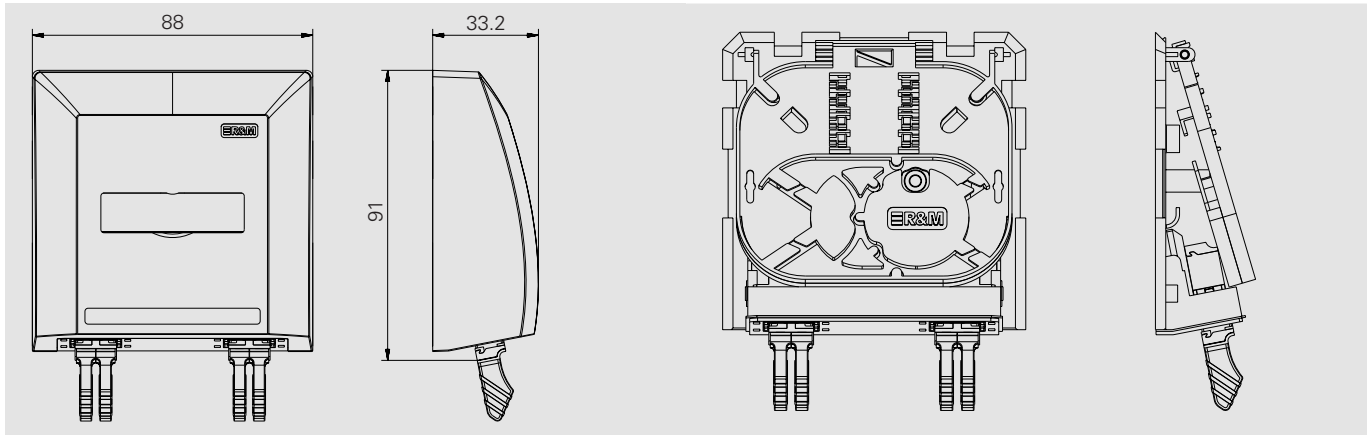
Mechanical characteristics

Criteria	Date / value	Standard
Material Bottom / front	Polycarbonate (PC), fiber-glass reinforced, halogen-free	(UL 94)
Material Cover / splice tray	Polycarbonate (PC-ABS)	UL 94
Suitable for tight buffer 600µm	4	

Environmental characteristics

Criteria	Date / value	Standard
Operation temperature	-10°C to 60°C	IEC 61300-2-17 and /d-18
Damp heat	+40°C at 93% (96h)	IEC 61300-2-19
IP protection class	IP20 (protection against contact)	IEC 60529

Dimensions



Dimensions

