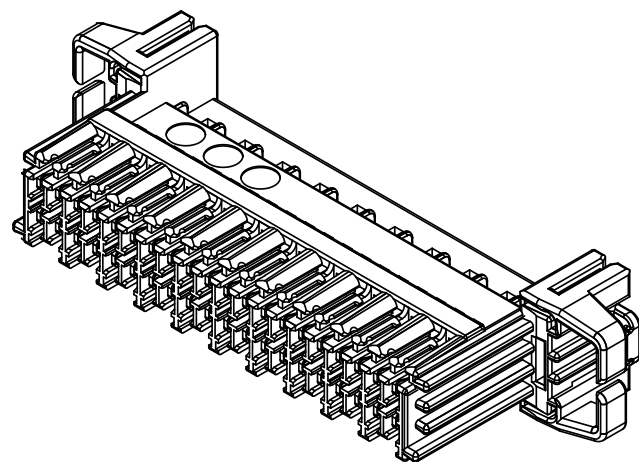
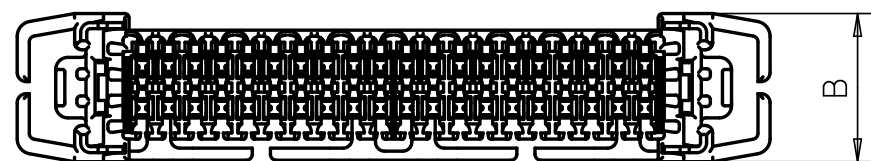
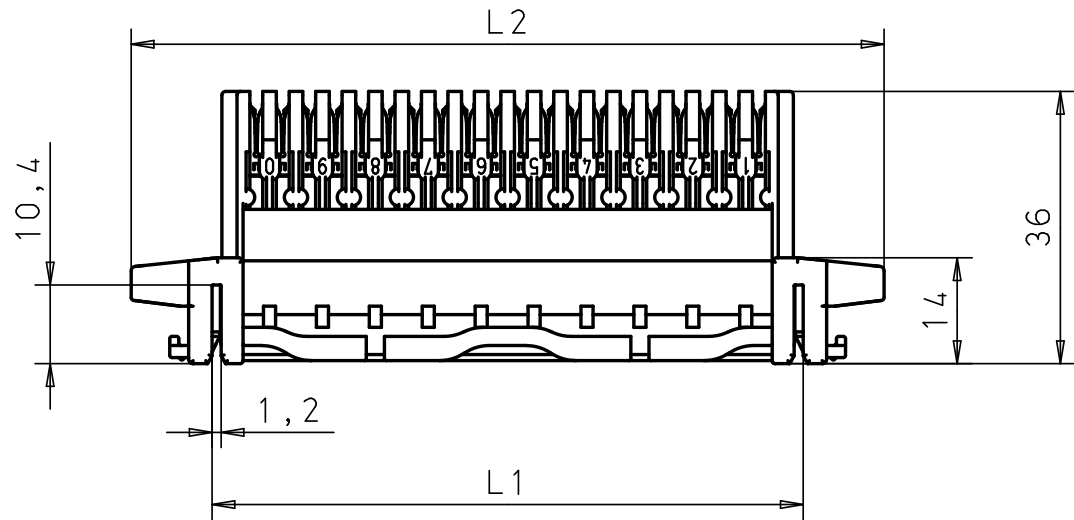
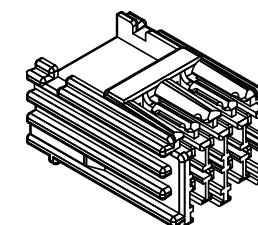
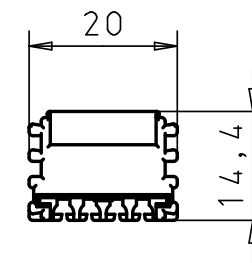
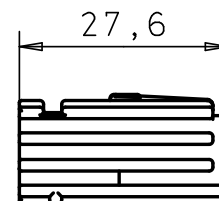


We reserve all rights to this document. The recipient acknowledges this and shall not without our written consent disclose them to any third party and be used for the indicated purpose only.

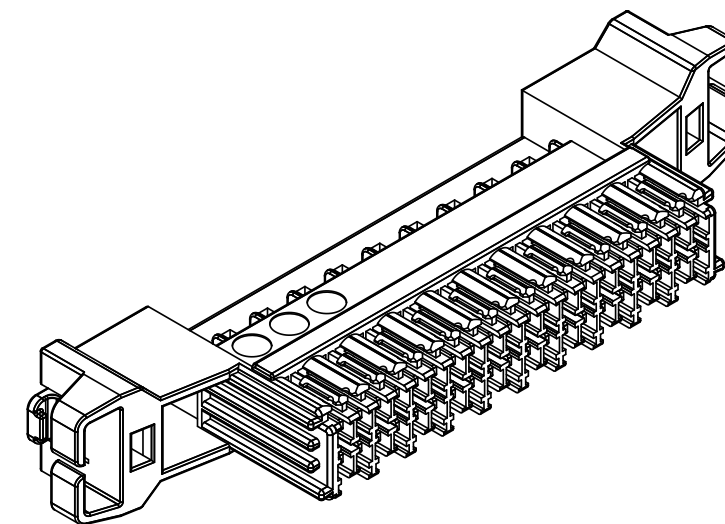
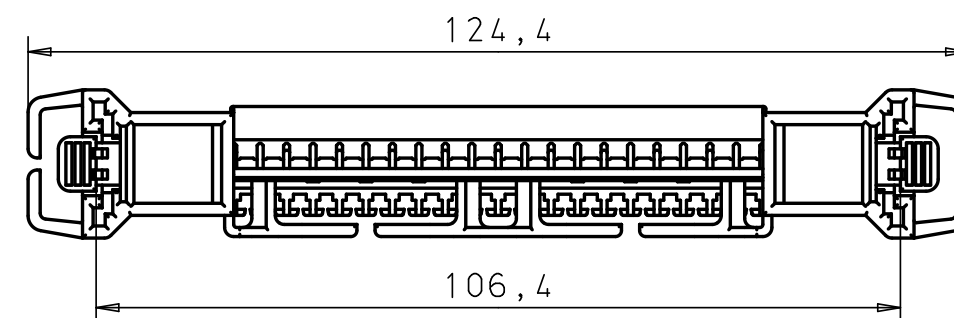
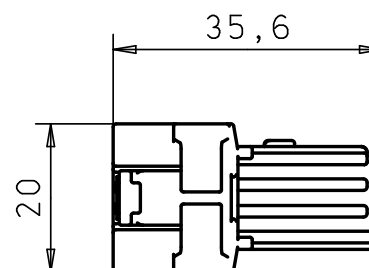
1 *Connection Module*




3 *Connection Module 2pairs*



4 *Connection Module 10pairs adapter*



Art. No.	Description	L1	B	L2
300*033	Connection Module 2pairs			
300*035	Connection Module 8pairs	64.2	20	85.6
300*039	Connection Module 10pairs	78.2	20	99.6
300*043	Connection Module 10pairs 17.5mm	78.2	17.5	99.6
300*045	Connection Module 16pairs	120.2	25	141.6
300*049	Connection Module 20pairs	148.2	25	169.6
300*053	Connection Module 10pairs adapter	106.4	20	124.4
300*674	Connection Module 25pairs	183.2	25	208.6

Material		Tolerance to	
Treatm.		Last CH.	07.05.2001
Colour		Dok.No	ZT 059.5840 rü
Note		Weight	
Description		Scale	Drwgn 11.08.1999 tt
VS Compact Connection Module		1:1	Appr 11.08.1999 rü
		Seen	11.08.1999 Ra
		Form	A3 Pg 1(1)
 Reichle & De-Massari AG Binzstrasse 31 CH-8622 Metzikon Switzerland Telephone +41 1 933 81 11 Telefax +41 1 930 49 41		Type	VT
		Art No	see above
		8304-7	
		Index	c
		Version	