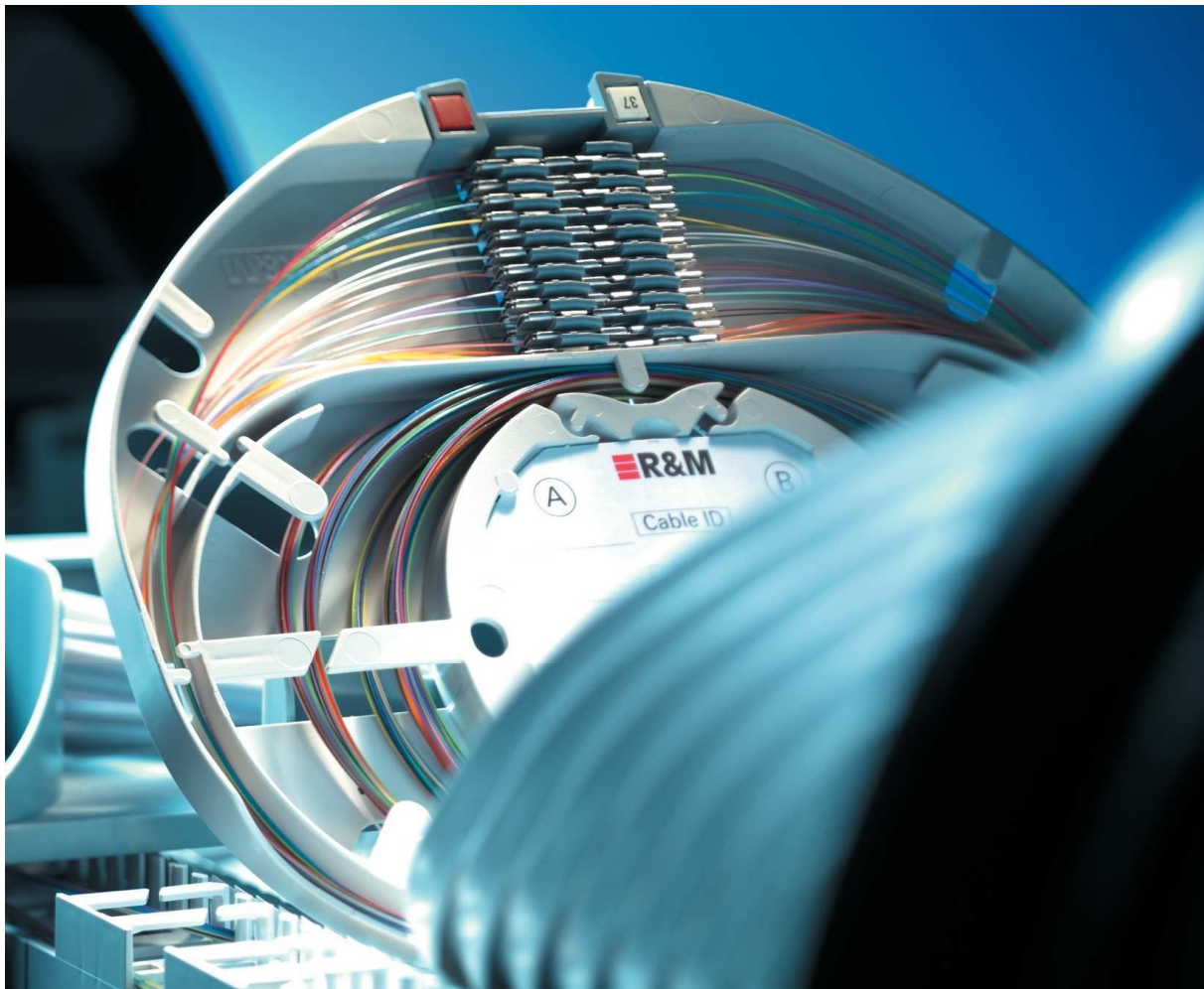


Technical Data Sheet



SCM splice trays

About this data sheet

The document was made with outmost care and contains the actual technical status at the time of release. Changes and corrections in the document will be included in the latest release. Technical changes may be made without further notice.

Release 1.1
novembre 2011

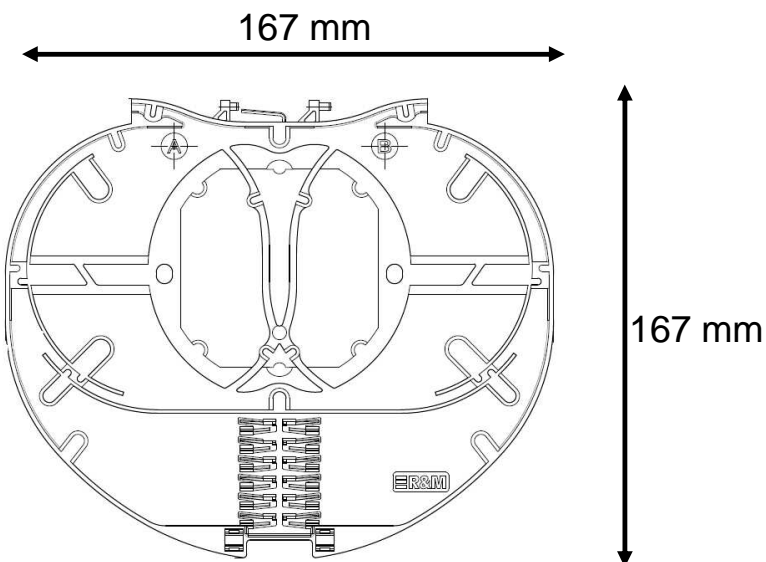
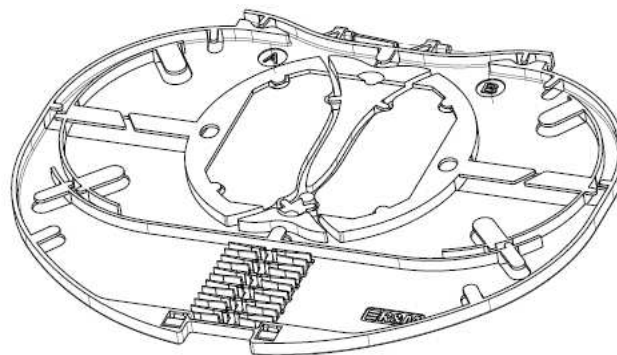
SCM splice cassettes

The Single Circuit Management is the core component of the FTTH product portfolio and allows the physical separation of the subscriber. The SCM is used in different platforms as ODF, closure and building entrance point.

The SCM trays offer a unique subscriber management. The trays can be marked with numbers and color clips and in the centre it has a large, exchangeable label.

The SE-tray offers highest density. It handles up to 24 splice holders and allows handling of loose tubes with 24 fibres in one tray.

The trays allow running xWDM and high power application as they guarantee a minimum bending radius (depending on the used cassette) up to 40 mm.



Parameter	Single Circuit Trays			Single Element Trays																		
	SC hs/ANT	SC heat shr.	SC ANT	SE heat shrink	SE ANT	SE Splitter																
tray thickness in units	1	1	1	2	2	2																
Splices																						
numbers max.	6	12	12	24	24	2																
Crimp splice holder (ANT)																						
numbers max.	6	X	12	X	24	2																
width (mm)	1.2	X	1.2	1.2	1.2	1.2																
high (mm)	3.2	X	3.2	3.2	3.2	3.2																
length (mm)	30	X	30	30	30	30																
Heat shrink holder (hs)																						
numbers max.	6	12	X	24	X	2																
diameter (mm)	3	3	X	3	3	3																
length min. (mm)	35	35	X	35	35	35																
length max. (mm)	60	60	X	60	60	60																
mechanisches Merkmal																						
min. bending radius (mm)	40	35	40	40	40	40																
!!! SE splitter cassette maximum splitter number : 2:32 !!!																						
General																						
Component	Material		tray colour	colour splice holder																		
SC hs/ANT 6	PC/ABS UL94:V0		telegrau, RAL 7047	telegrau, RAL 7047																		
SC heat shr. 12	PC/ABS UL94:V0		telegrau, RAL 7047	telegrau, RAL 7047																		
SC ANT 12	PC/ABS UL94:V0		telegrau, RAL 7047	telegrau, RAL 7047																		
SE für Schrumpfspleisse	PC/ABS UL94:V0		telegrau, RAL 7047	telegrau, RAL 7047																		
SE für Crimp (ANT)	PC/ABS UL94:V0		telegrau, RAL 7047	Fehgrey, RAL 7000																		
SE für Splitter	PC/ABS UL94:V0		telegrau, RAL 7047	black, RAL 9005																		
<table border="1"> <thead> <tr> <th>Dimension</th> <th>Length</th> <th>Width</th> <th>Height</th> </tr> </thead> <tbody> <tr> <td>Component</td> <td></td> <td></td> <td></td> </tr> <tr> <td>SC tray (mm)</td> <td>167</td> <td>139</td> <td>4.4</td> </tr> <tr> <td>SE tray (mm)</td> <td>167</td> <td>139</td> <td>8.8</td> </tr> </tbody> </table>							Dimension	Length	Width	Height	Component				SC tray (mm)	167	139	4.4	SE tray (mm)	167	139	8.8
Dimension	Length	Width	Height																			
Component																						
SC tray (mm)	167	139	4.4																			
SE tray (mm)	167	139	8.8																			
Climatic features																						
Temperature of usage	-40 degr. C bis + 70 degr. C		IEC 61300-2-17 und 18																			