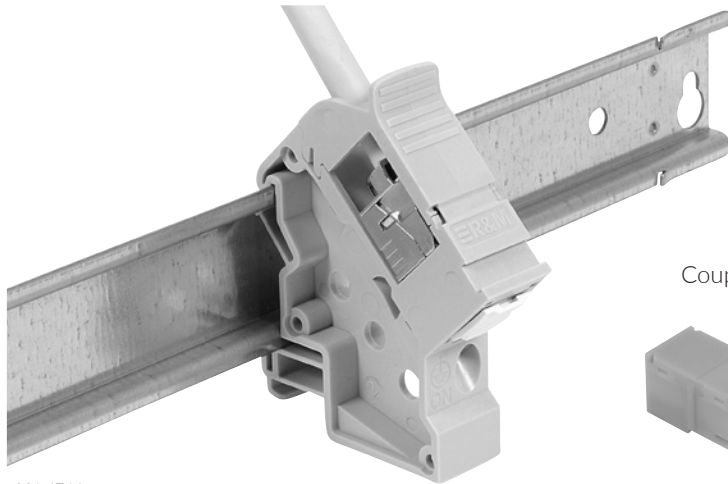


Installationsanleitung Adapter DRM45 1TE-DA-Cat.6_A
Installation guide Mounting Adapter DRM45 1TE-DA-Cat.6_A
Instructions de montage Adapter DRM45 1TE-DA-Cat.6_A



021.4764

Kompatibel mit: / Compatible with:

Coupler



021.4849

FO-Adapter
(SC/E2000/LC-Duplex)



021.4850

Cat.6_A EL/s/u



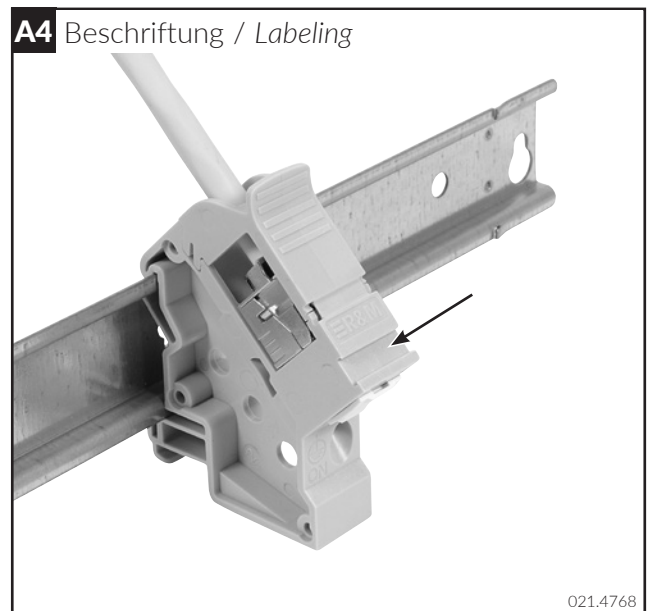
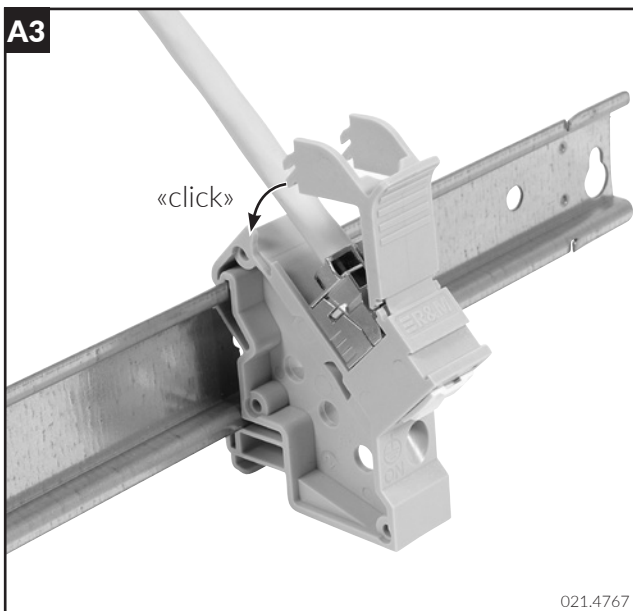
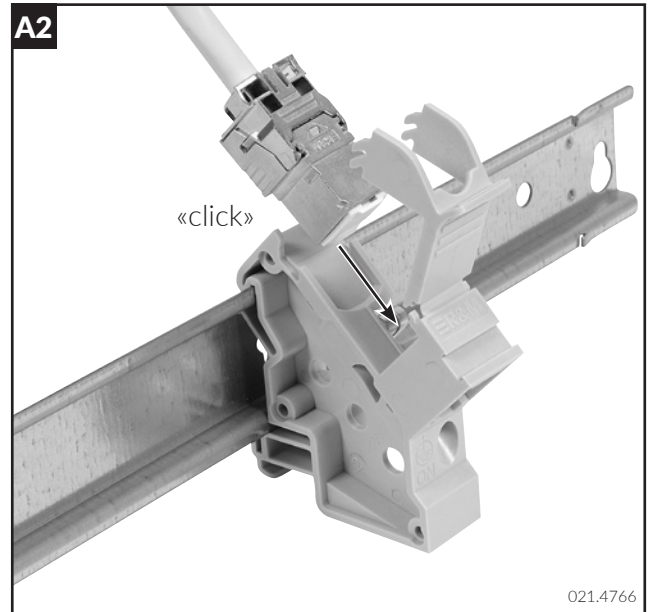
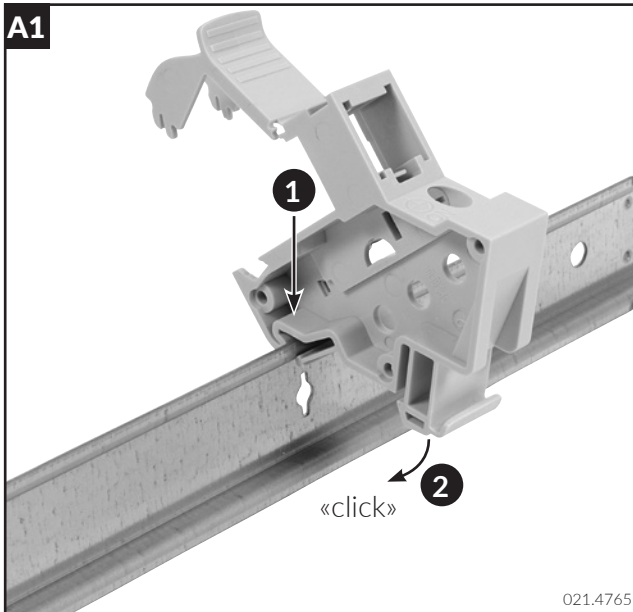
021.4775

Cat.6_A ISO/s/u

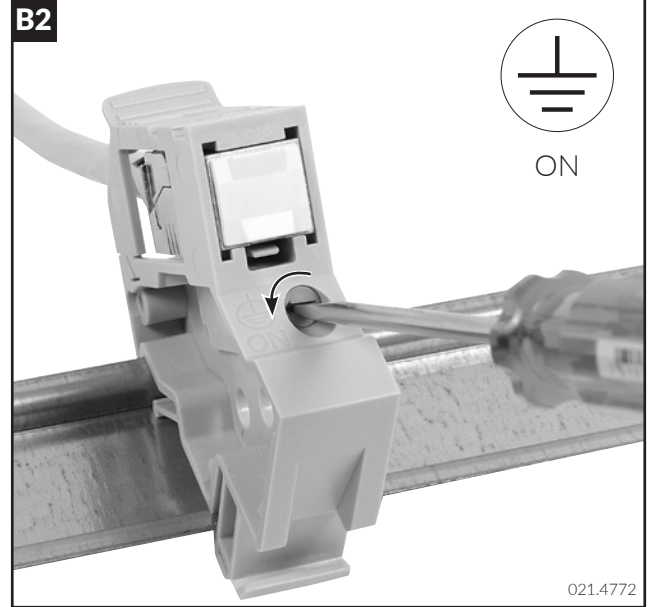
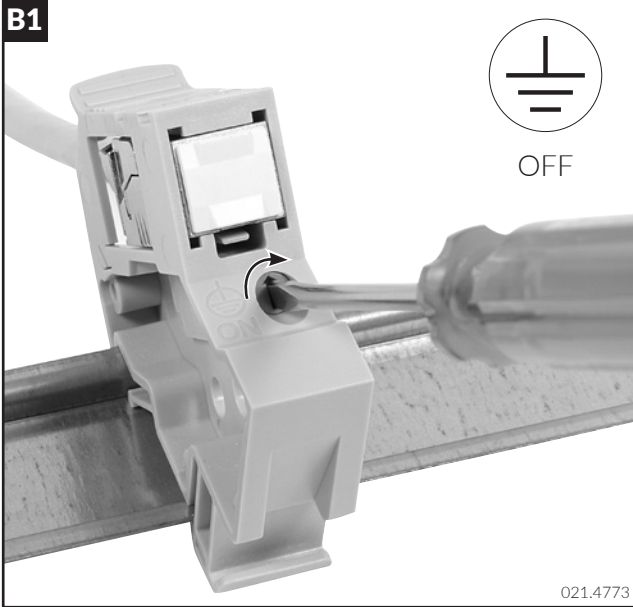


021.4776

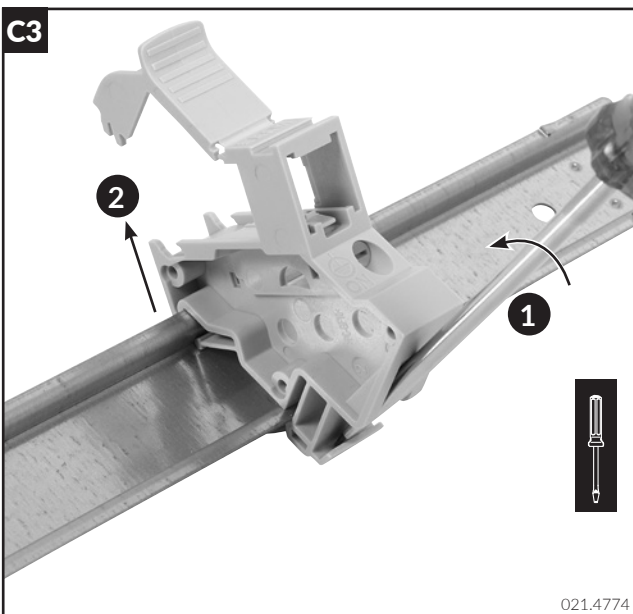
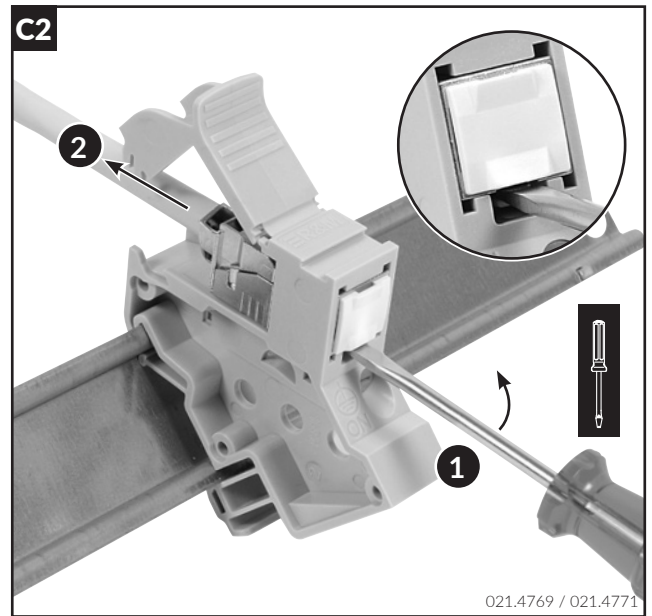
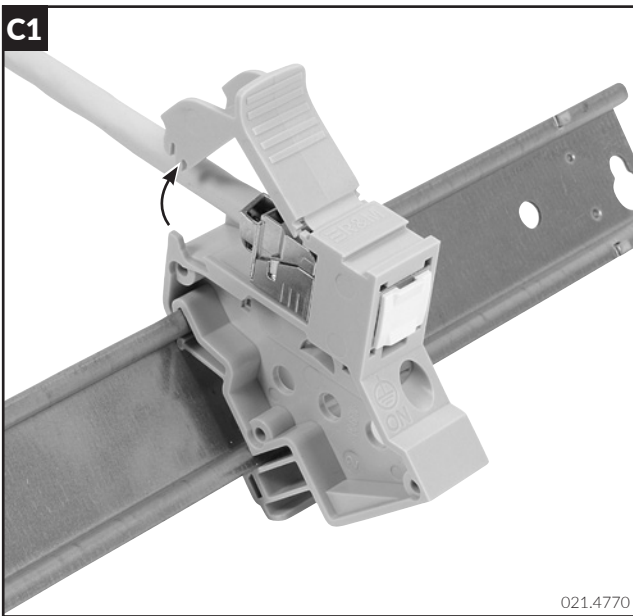
A - Montage / Installation



B - Erdung / Grounding



C - Demontage / Remove



Headquarters

Switzerland

Reichle & De-Massari AG

Binzstrasse 32

CHE-8620 Wetzikon

Telephone HQ +41 (0)44 933 81 11

Telefax HQ +41 (0)44 930 49 41

E-Mail hq@rdm.com

www.rdm.com

R&M