

Ordering Information

SCM Backbone Dome Closure

Description

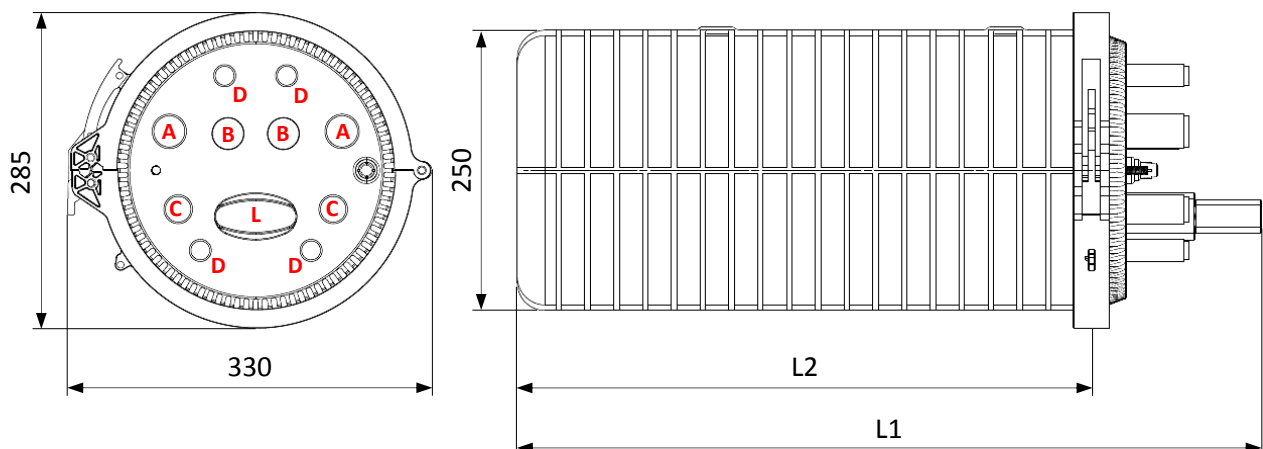
With the splice closure SCM from R&M, network operators have a convincing all-round solution for FTTH projects. Their playing field is wide-ranging, from street shafts and ducts to ditches and poles.

Its most important component is the Single Circuit Management (SCM) platform. Fibers are laid, looped through and spliced in record time. Fiber management free of cross-overs and the gentle 40mm bending radius are ensured throughout, just the right prerequisites for long-term operating reliability and perfect performance.

Ordering Information

Product Code	Splice-Capacity	TPU ⁽¹⁾	Length [mm]	Cable Entries	Ø Cable [mm]	Ordering no.
Closure SCM Backbone small	288	24	L1: 500 L2: 345	1x L (Loop) 2x A	2x Ø 35-18 Ø 24-18	R810187
Closure SCM Backbone medium	576	48	L1: 675 L2: 525	2x B 2x C	Ø 22-18 Ø 19-12	R509553
Closure SCM Backbone large	1152	96	L1: 830 L2: 680	4x D	Ø 14-10	R509568

⁽¹⁾ TPU: Tray Position Units correspond to the number of tray fixing possibilities.
Depending on the loose tube storage the available number of TPU's can be reduced.

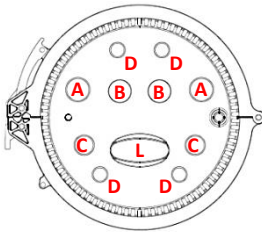


Scope of Delivery

- Closure complete prepared for tray assembling
- Valve and grounding preassembled
- Closure dome including sealing ring
- Clamp
- Loose tube tray kit for loop storage
- Splice tray cover kit incl. accessories
- Numbering clips 1-120
- 2 desiccant (silica gel bags) 20g









Cable Entries



Port	Number of ports	Cable diameter
L	1	35mm – 18mm
A	2	24mm – 18mm
B	2	22mm – 18mm
C	2	19mm – 12mm
D	4	14mm – 10mm

Heat Shrink Kits

	Description	Port	Order no.
	Cable Entry Kit SCM Backbone Loop 1x heat shrink sleeve Ø75/23x150mm 2x heat shrink sleeve Ø31/8x150mm 4x aluminium heat protection foil 1x aluminium foil 1x clamp for loop cable 3x abrasive strips 4x IPA tissues 4x strain reliefs 4x hose clip 18-29mm 4x hose clip 21-44mm 2x desiccant (silica gel bags) 20g	1x Port L 2x Port C	R509172
	Cable Entry Kit SCM Backbone Standard 2x heat shrink sleeve Ø41/12x150mm 2x heat shrink sleeve Ø31/8x150mm 4x aluminium heat protection foil 1x aluminium foil 4x abrasive strips 4x IPA tissues 4x strain reliefs 4x hose clip 18-29mm 4x hose clip 21-44mm 2x desiccant (silica gel bags) 20g	2x Port A/B 2x Port C	R509175






	Description	Port	Order no.
	Cable Entry Kit SCM 75/23x150 1x heat shrink sleeve 2x aluminium heat protection foil 1x abrasive strips 2x IPA tissues 2x strain reliefs 2x hose clip 18-29mm 2x hose clip 21-44mm	Port L	R508321
	Cable Entry Kit SCM 28/6x150 Cable Entry Kit SCM 31/8x150 Cable Entry Kit SCM 41/12x150 1x heat shrink sleeve 1x aluminium heat protection foil 1x abrasive strips 1x IPA tissues 1x strain reliefs 1x hose clip 18-29mm 1x hose clip 21-44mm	Port D Port C Port A/B	R508327 R508326 R508325
	Heat Shrink Sleeve Kit Oval Ø75/23x150 1x heat shrink sleeve 2x aluminium heat protection foil 1x clamp for loop cable 1x abrasive strips 2x IPA tissues	Port L	R307323
	Heat Shrink Sleeve Kit SCM 28/6x150 Heat Shrink Sleeve Kit SCM 31/8x150 Heat Shrink Sleeve Kit SCM 41/12x150 1x heat shrink sleeve 1x aluminium heat protection foil 1x abrasive strips 1x IPA tissues	Port D Port C Port A/B	R509342 R307321 R307322

SCM Splice Tray System




	Description	TPU ⁽¹⁾	Order no.
	Single Circuit Splice Tray SCM for 6 splices, 1x	1	R508434
	Single Circuit Splice Tray SCM for 6 splices, 12x 1x Single Circuit (SC) tray 1x holder for 6 heat shrink or sandwich splice protectors 1x label	1	R508440
	Single Circuit Splice Tray for 12 HS splices, 1x	1	R804270
	Single Circuit Splice Tray for 12 HS splices, 12x 1x Single Circuit (SC) tray 1x holder for 12 heat shrink splice protectors 1x label	1	R804272
	Single Circuit Splice Tray for 12 SW splices, 1x	1	R804271
	Single Circuit Splice Tray for 12 SW splices, 12x 1x Single Circuit (SC) tray 1x holder for 12 sandwich splice protectors 1x label	1	R804273
	Single Element Splice Tray for 24 HS splices, 1x	2	R508436
	Single Element Splice Tray for 24 HS splices, 6x 1x Single Element (SE) tray 1x holder for 24 heat shrink splice protectors 1x label	2	R508441
	Single Element Splice Tray for 24 SW splices, 1x	2	R508438
	Single Element Splice Tray for 24 SW splices, 6x 1x Single Element (SE) tray 1x holder for 24 sandwich splice protectors 1x label	2	R508442
	Splitter Tray SCM, 1x 1x Single Element (SE) tray 1x holder for max. 2:32 splitter (80x16x7) incl. splice holder for 2x heat shrink and sandwich splice protectors 1x label	2	R508439
	Cover kit SCM 1x Cover for SCM tray 1x tray locking bracket 1x fiber dressing pen 1x laser warning sticker		R509162

⁽¹⁾ TPU: Tray Position Units correspond to the number of tray fixing possibilities.




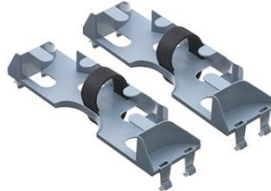
Accessories SCM Splice Tray System

	Description	Order no.
	Sandwich Splice Protection 15x Splice Protections	R30086
	Heat Shrink Splice Protection Ø3.0x 60 mm Heat Shrink Splice Protection Ø3.0x 45 mm Heat Shrink Splice Protection Ø3.0x 35 mm 12x Heat Shrink Splice Protection	R30087 R319212 R30087-35
	Label for SCM Trays 12x labels	R509346
	Numbering Clips 1-12 for SCM Trays Numbering Clips 13-24 for SCM Trays Numbering Clips 25-36 for SCM Trays Numbering Clips 37-48 for SCM Trays Numbering Clips 1-120 for SCM Trays 5x Numbering clip sheet with 120 clips, white	R510084 R511963 R511964 R512402 R508341
	Color Clip “Green” for SCM Tray Color Clip “Blue” for SCM Tray Color Clip “Red” for SCM Tray Color Clip “Yellow” for SCM Tray 5x Numbering clip sheets with 96 color clips	R508346 R508347 R508343 R508345

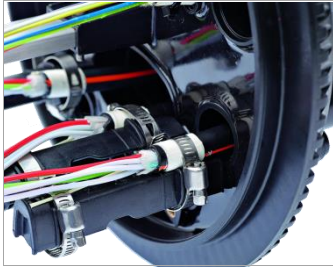
Accessories Closure

	Description	Order no.
	Fastening Bracket Closure Bottom SCM 2x mounting brackets 2x washers, spring washers, nuts	R508340
	Wall/Pole Mounting Kit for Dome Diameter 250mm 1x wall- and pole mounting brackets 2x metal straps Ø240 - 260mm	R508354
	Wall Mounting Holder for Dome Diameter 240mm - 260mm 1x wall mounting 1x metal straps Ø240 - 260mm Two holder needed per closure!	R509392

Spare Parts

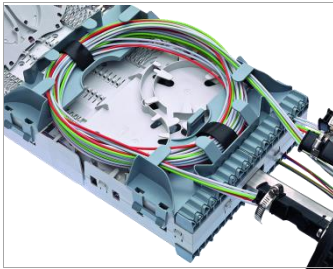
	Description	Order no.
	Desiccant (silica gel bags), 2x 20g Desiccant (silica gel bags), 2x 60g 2x silica gel bags	R509376 R30392
	Aluminium Heat Protection Foil 10x Aluminium heat protection foil	R307344
	Spare Sealing Ring Ø250mm 1x sealing ring	R509914
	Loose Tube Tray Kit SCM 2x Loose tube trays 2x Velcro tie (145 mm)	R509186

Product Details



Strain relief

- cable is strain relieved by a hose clip
- central strength member is fixed by a hose clip



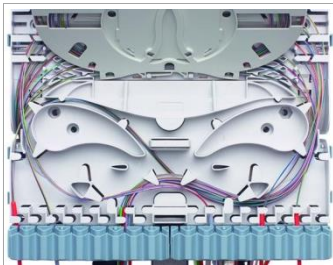
Loose tube storage

- storage of uncut loose tubes
- storage of expressed loose tubes



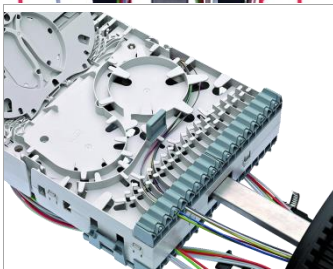
Grounding and valve

- pre-assembled grounding M8
- pre-assembled valve with protective cap



Fiber dividing plate for SCM Closure Backbone **Small**

- min. bending radius 40mm
- side change of fibers without threading



Fiber dividing plate for SCM Closure Backbone **Medium/Large**

- min. bending radius 40mm
- fiber guidance without crossing even for side or direction changes
- side change of fibers without threading
- separate storage for unused fibers



Single Circuit Management Tray System

- modular tray system
- minimum bending radius 40mm
- SC tray for up to 12 fibers
- SE tray for up to 24 fibers
- splitter trays for 2:32 splitters
- trays secured by Velcro tie