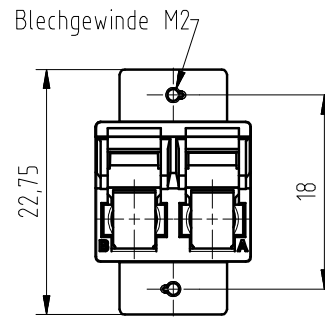
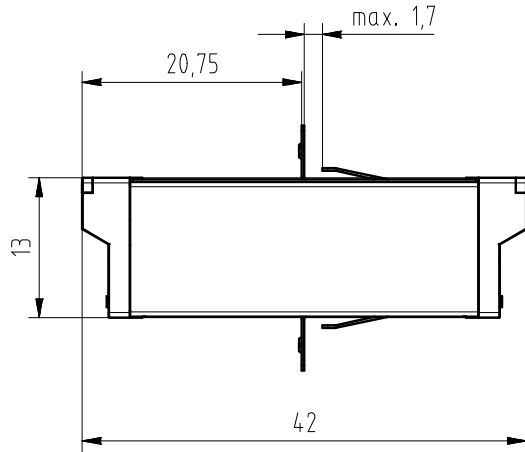
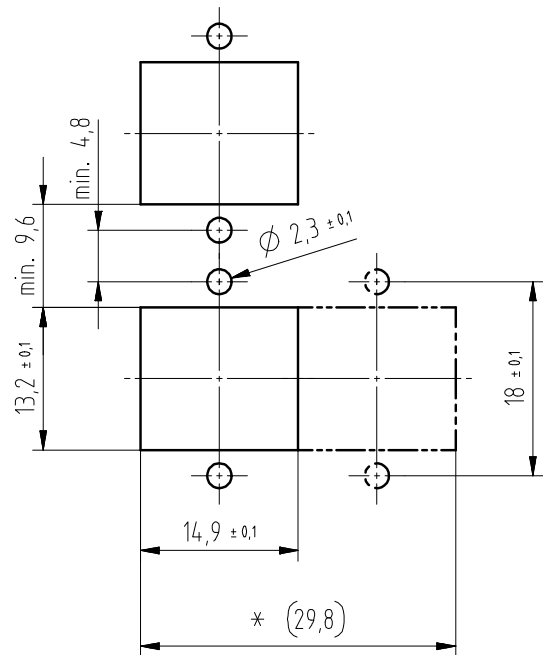
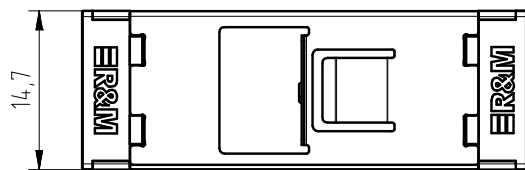
	Adapter-LSHRJ-Screw variant			Item Number:	
	Kupplung-LSHRJ-Schraub Variante			516471	
Document status:	EngReleased	Prep: Sch	Date: 17.11.2011	Revision:	A
Department:	CGE	Appr: Sr	Date: 23.12.2011	Page:	1/1
Document type:	_07 Customer Drawing-Datasheet				



Ausschnitt / cutout



* Anzahl Kupplungen x 14.9mm 0/+0.20
numbers of adapter x 14.9mm 0/+0.20

Frontplattendicke max. 1.70mm
Panel thickness max. 1.70mm

