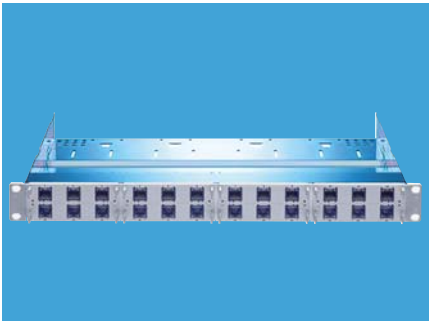


1U HD Patch Panel fully populated

28.06.2013 / V2.0 / Zr



- Ultra-High Density Patch Panel enables 48-Ports in 1U 19" format
- Numbered Module holders for Cat. 6A ISO, Cat. 6, Cat. 5e, and LC/MPO
- Ample labeling options despite limited space
- With cable tie shelf for stable and reliable cable management
- Without cable tie shelf for space critical applications
- Support for High Density Security System, Levels 1 and 3
- Shielded version includes complete integrated grounding system
- Suitable for R&M *intelPhy*

Technical data

Criteria	Date / value
Rack insert component	1U for cabinets with format 19"
Number of Module holder	4
Space for MPO/LCD/LSH/SC adapter	24 and 48
Space for Cat.6A ISO module	24 and 48
Space for Cat.5e / Cat.6 module	24

Mechanical characteristics

Criteria	Date / value
Material housing	Sheet steel, galvanized and blue passivized
Material module holder	Polycarbonate, fiber-glass reinforced, halogen-free (UL 94-V0)
Material separation element	Stainless steel (if module holder is unshielded)
Material Earth clamp	Tin coated copper plate
Material slider	Polycarbonate, halogen-free (UL 94-V0)
Color module holder	Gray (NCS 1005-R80B) or black (RAL 9005)
Color slider	Gray (NCS 2502-B) or black (RAL 9005)
Color front screen	Gray (NCS 2502-B) or black (RAL 9005)

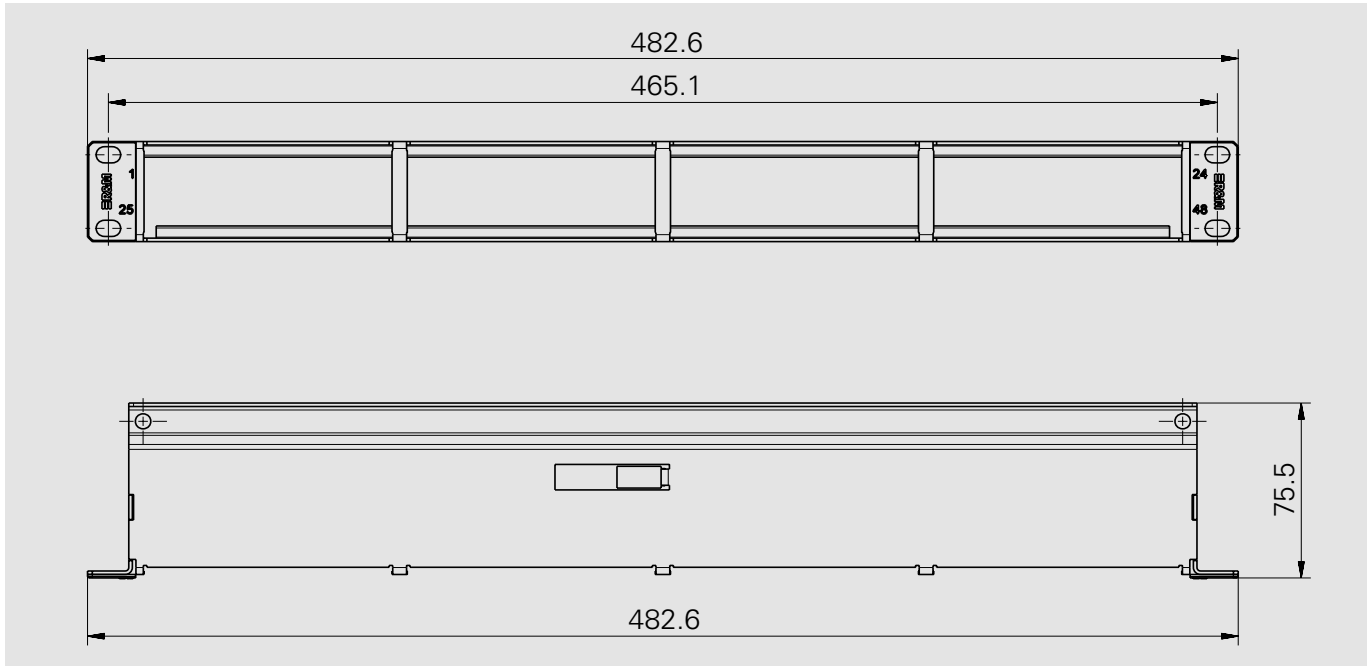
Electrical characteristics

Criteria	Date / value	Standard
separation element for Cat.6A module (unshielded)	Fulfill tests and measurements of Alien NEXT	IEC 60512-24-9, Paragraph 7

Environmental characteristics

Criteria	Date / value	Standard
Operation temperature	-40°C to 70°C	
IP protection class	IP 20 (protection against contact)	IEC 60529

Dimension



Dimension

