

Features

- Up to 4 plugged connections on 5.6HP
- Guaranteed bending radius of 35 mm
- Expandable to Security System, incl. labeling field
- Choice of cable entry of 45° or 90°
- Hold-down cross protecting the fibers
- Up to 120 fibers per 19" 3U Global patch panel
- Spleiss- and Break-Out Version

Technical data

Criteria	Date / value
Rack insert component	Insert module fitting to Global-Patch-Panel
Connector type front	
Connector type	E-2000™-Compact, LC-Duplex, SC-RJ
Polish	8° APC (SM), PC (SM, MM)
Color of connector	Green (SM APC), Blue (SM PC), Beige (MM)
Color of adapter	Green (SM APC), Blue (SM PC), Beige (MM)

Mechanical characteristics

Criteria	Date / value
Material housing	Polycarbonate (PC), fiber-glass reinforced, halogen-free (UL 94 V-0)
Color housing	Gray (NCS 2502-B)
Material frontplate	Polycarbonate (PC), fiber-glass reinforced, halogen-free (UL 94 V-0)

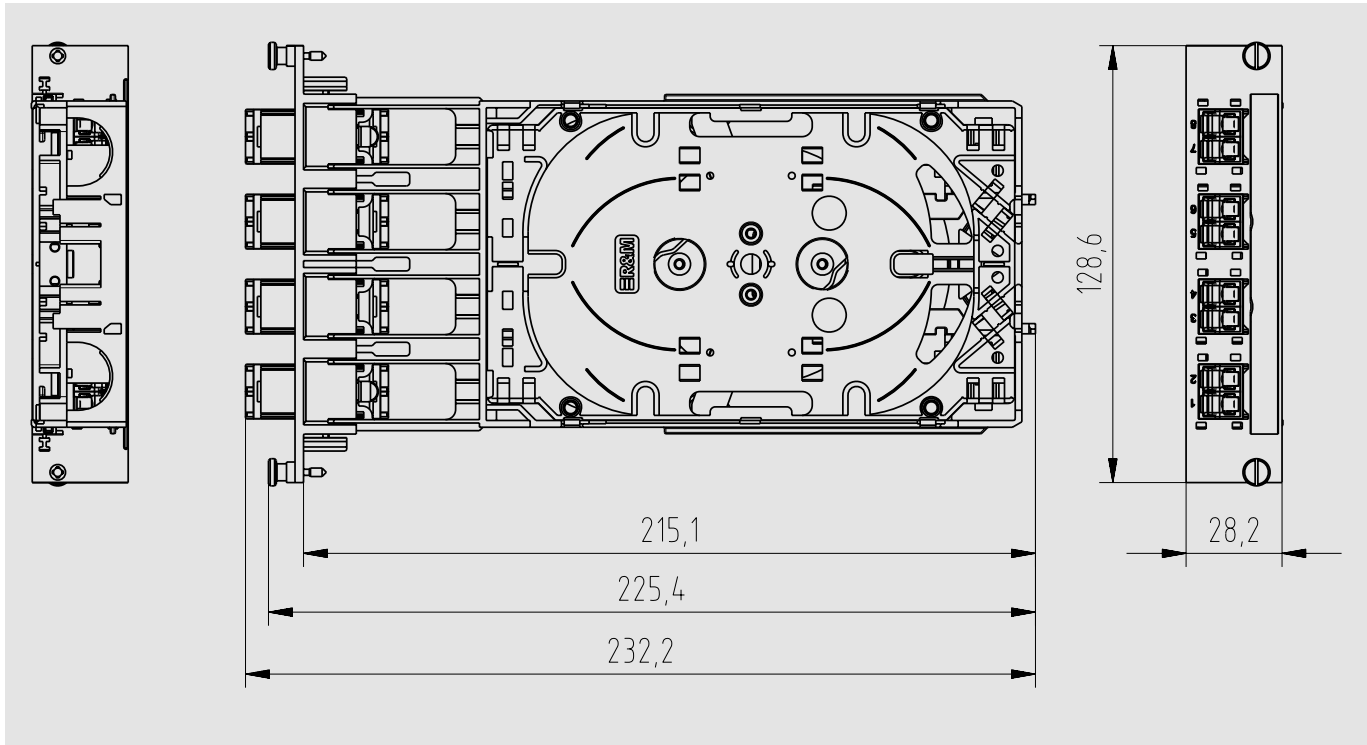
Environmental characteristics

Criteria	Date / value	Standard
Operation temperature	-40°C to +70°C	
IP protection class	IP20 (protection against contact)	IEC 60529

Optical performance

Optical performance	Date / value
Insertion loss (IL)	See specified connector datasheet
Return loss (RL)	See specified connector datasheet

Dimension Splice Version



Dimension Break-Out Version

