

# Ordering Information

## SCM Dome Closure

### Description

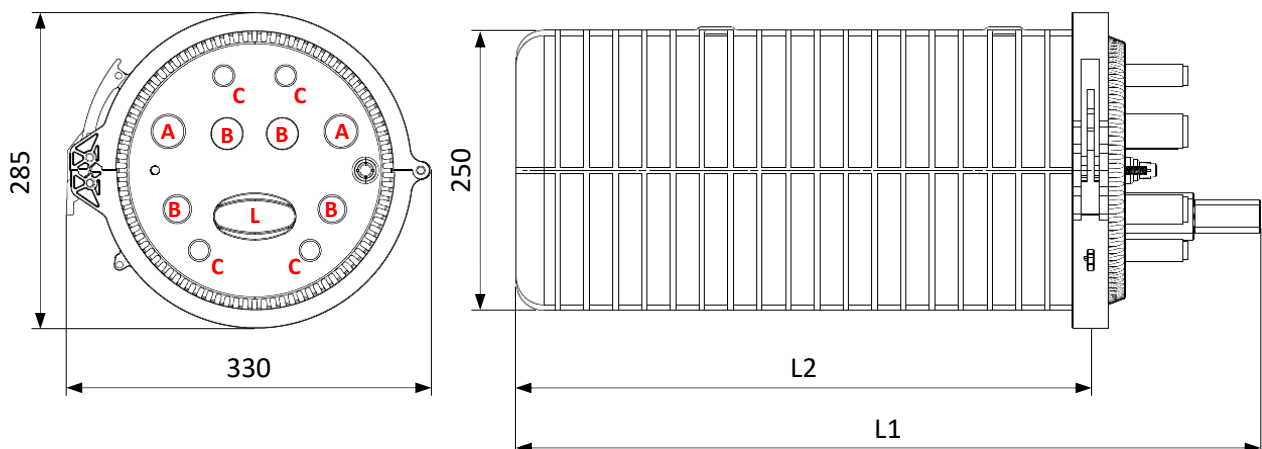
With the splice closure SCM from R&M, network operators have a convincing all-round solution for FTTH projects. Their playing field is wide-ranging, from street shafts and ducts to ditches and poles.

Its most important component is the Single Circuit Management (SCM) platform. Fibers are laid, looped through and spliced in record time. Fiber management free of cross-overs and the gentle 40mm bending radius are ensured throughout, just the right prerequisites for long-term operating reliability and perfect performance.

### Ordering Information

Product Code	Splice-Capacity	TPU <sup>(1)</sup>	Length [mm]	Cable Entries	Ø Cable [mm]	Ordering no.
SCM Dome Closure STP24 with Valve	288	24	L1: 500 L2: 345	1x L (Loop) 2x A	2x Ø 35-18 Ø 24-10	R840223
SCM Dome Closure STP48 with Valve	576	48	L1: 675 L2: 525	4x B 4x C	Ø 20-10 Ø 14-7	R840224
SCM Dome Closure STP96 with Valve	1152	96	L1: 830 L2: 680			R840225

<sup>(1)</sup> TPU: Tray Position Units correspond to the number of tray fixing possibilities.  
Depending on the loose tube storage the available number of TPU's can be reduced.

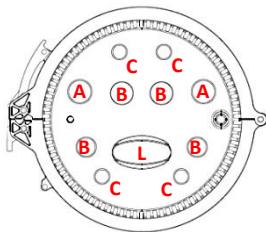


## Scope of Delivery

- Closure complete prepared for tray assembling
- Valve preassembled
- Closure dome including sealing ring
- Clamp
- Loose tube tray kit for loop storage
- Splice tray cover kit
- 2 desiccant (silica gel bags) 20g





## Cable Entries



Port	Number of ports	Cable diameter
L	1	35mm – 20mm
A	2	24mm – 10mm
B	4	20mm – 10mm
C	4	14mm – 7mm

## Heat Shrink Kits






	Description	Port	Order no.
	<b>SCM D25 Entry Kit Oval 35mm</b> 1x heat shrink sleeve 2x aluminium heat protection foil 1x abrasive strips 2x IPA tissues 2x strain reliefs 2x hose clip 18-29mm 2x hose clip 21-44mm	<b>Port L</b>	<b>R508321</b>
	<b>SCM D25 Entry Kit Round 14mm</b> <b>SCM D25 Entry Kit Round 20/25mm</b> 1x heat shrink sleeve 1x aluminium heat protection foil 1x abrasive strips 1x IPA tissues 1x strain reliefs 1x hose clip 18-29mm 1x hose clip 21-44mm	<b>Port C</b> <b>Port A/B</b>	<b>R508327</b> <b>R508325</b>

## SCM Splice Tray System



	Description	TPU <sup>(1)</sup>	Order no.
	<b>Single Circuit Splice Tray SCM for 6 splices, 1x</b>	<b>1</b>	<b>R508434</b>
	<b>Single Circuit Splice Tray SCM for 6 splices, 12x</b> 1x Single Circuit (SC) tray 1x holder for 6 heat shrink or sandwich splice protectors 1x label	<b>1</b>	<b>R508440</b>
	<b>Single Circuit Splice Tray for 12 HS splices, 1x</b>	<b>1</b>	<b>R804270</b>
	<b>Single Circuit Splice Tray for 12 HS splices, 12x</b> 1x Single Circuit (SC) tray 1x holder for 12 heat shrink splice protectors 1x label	<b>1</b>	<b>R804272</b>
	<b>Single Circuit Splice Tray for 12 SW splices, 1x</b>	<b>1</b>	<b>R804271</b>
	<b>Single Circuit Splice Tray for 12 SW splices, 12x</b> 1x Single Circuit (SC) tray 1x holder for 12 sandwich splice protectors 1x label	<b>1</b>	<b>R804273</b>
	<b>Single Element Splice Tray for 24 HS splices, 1x</b>	<b>2</b>	<b>R508436</b>
	<b>Single Element Splice Tray for 24 HS splices, 6x</b> 1x Single Element (SE) tray 1x holder for 24 heat shrink splice protectors 1x label	<b>2</b>	<b>R508441</b>
	<b>Single Element Splice Tray for 24 SW splices, 1x</b>	<b>2</b>	<b>R508438</b>
	<b>Single Element Splice Tray for 24 SW splices, 6x</b> 1x Single Element (SE) tray 1x holder for 24 sandwich splice protectors 1x label	<b>2</b>	<b>R508442</b>
	<b>Splitter Tray SCM, 1x</b> 1x Single Element (SE) tray 1x holder for max. 2:32 splitter (80x16x7) incl. splice holder for 2x heat shrink and sandwich splice protectors 1x label	<b>2</b>	<b>R508439</b>
	<b>Cover kit SCM</b> 1x Cover for SCM tray 1x tray locking bracket 1x fiber dressing pen 1x laser warning sticker		<b>R509162</b>

<sup>(1)</sup> TPU: Tray Position Units correspond to the number of tray fixing possibilities.





## Accessories SCM Splice Tray System

	Description	Order no.
	<b>Sandwich Splice Protection</b> 15x Splice Protections	<b>R30086</b>
	<b>Heat Shrink Splice Protection Ø3.0x 60 mm</b> <b>Heat Shrink Splice Protection Ø3.0x 45 mm</b> <b>Heat Shrink Splice Protection Ø3.0x 35 mm</b> 12x Heat Shrink Splice Protection	<b>R30087</b> <b>R319212</b> <b>R30087-35</b>
	<b>Label for SCM Trays</b> 12x labels	<b>R509346</b>
	<b>Numbering Clips 1-12 for SCM Trays</b> <b>Numbering Clips 13-24 for SCM Trays</b> <b>Numbering Clips 25-36 for SCM Trays</b> <b>Numbering Clips 37-48 for SCM Trays</b> <b>Numbering Clips 1-120 for SCM Trays</b> 5x Numbering clip sheet with 120 clips, white	<b>R510084</b> <b>R511963</b> <b>R511964</b> <b>R512402</b> <b>R508341</b>
	<b>Color Clip "Green" for SCM Tray</b> <b>Color Clip "Blue" for SCM Tray</b> <b>Color Clip "Red" for SCM Tray</b> <b>Color Clip "Yellow" for SCM Tray</b> 5x Numbering clip sheets with 96 color clips	<b>R508346</b> <b>R508347</b> <b>R508343</b> <b>R508345</b>

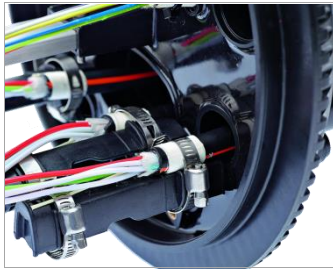
## Accessories Closure

	Description	Order no.
	<p><b>Wall/Pole Mounting Kit for Dome Diameter 250mm</b>            1x wall- and pole mounting brackets            2x metal straps Ø240 - 260mm</p>	<p><b>R508354</b></p>
	<p><b>Wall Mounting Holder for Dome Diameter 240mm - 260mm</b>            1x wall mounting            1x metal straps Ø240 - 260mm</p> <p><b>Two holder needed per closure!</b></p>	<p><b>R509392</b></p>

## Spare Parts

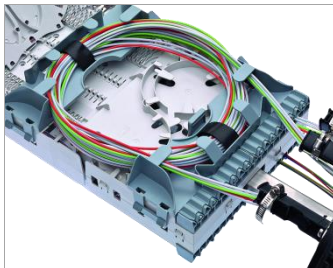
	Description	Order no.
	<p><b>Desiccant (silica gel bags), 2x 20g</b>  <b>Desiccant (silica gel bags), 2x 60g</b>            2x silica gel bags</p>	<p><b>R509376</b>  <b>R30392</b></p>
	<p><b>Aluminium Heat Protection Foil</b>            10x Aluminium heat protection foil</p>	<p><b>R307344</b></p>
	<p><b>Spare Sealing Ring Ø250mm</b>            1x sealing ring</p>	<p><b>R509914</b></p>
	<p><b>Loose Tube Tray Kit SCM</b>            2x Loose tube trays            2x Velcro tie (145 mm)</p>	<p><b>R509186</b></p>

## Product Details



### Strain relief

- cable is strain relieved by a hose clip
- central strength member is fixed by a hose clip



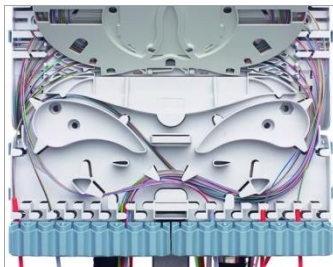
### Loose tube storage

- storage of uncut loose tubes
- storage of expressed loose tubes



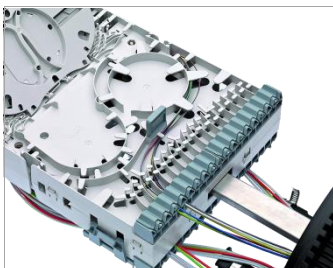
### Closure end cap

- diameter indication on ports
- consecutively numbered ports
- pre-assembled valve with protective cap



### Fiber dividing plate for SCM Closure **24 STP**

- min. bending radius 40mm
- side change of fibers without threading



### Fiber dividing plate for SCM Closure **48 STP/96 STP**

- min. bending radius 40mm
- fiber guidance without crossing even for side or direction changes
- side change of fibers without threading
- separate storage for unused fibers



### Single Circuit Management Tray System

- modular tray system
- minimum bending radius 40mm
- SC tray for up to 12 fibers
- SE tray for up to 24 fibers
- splitter trays for 2:32 splitters
- trays secured by Velcro tie