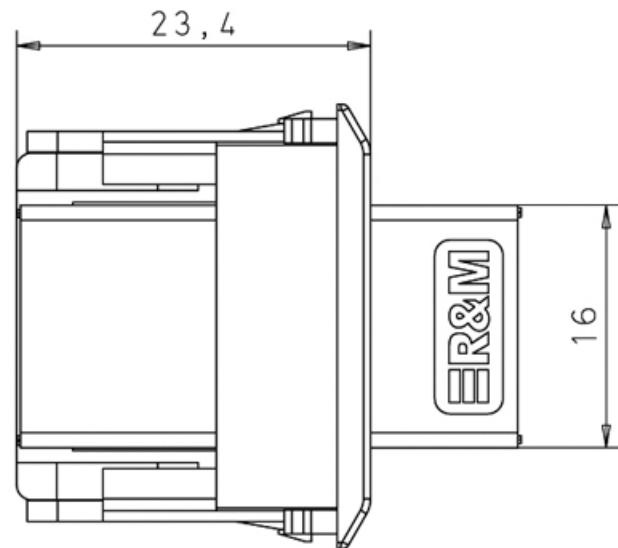
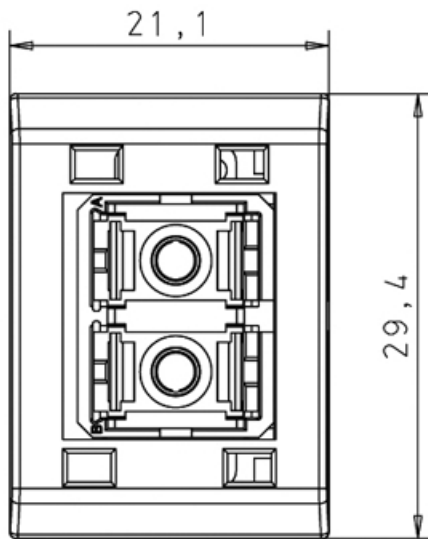
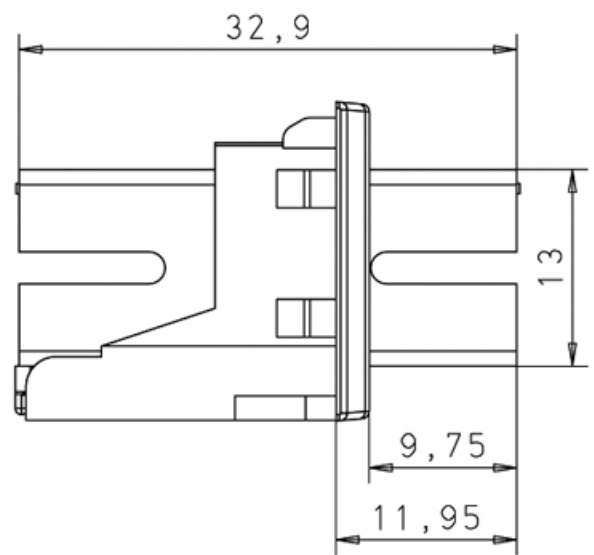
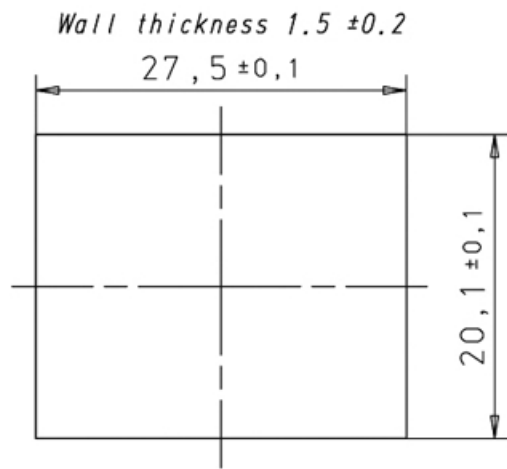
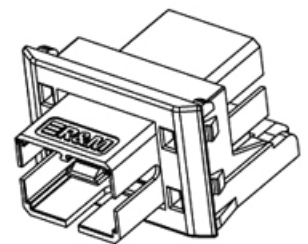



We reserve all rights to this document. The recipient acknowledges this and shall not without our written consent disclose them to any third party and be used for the indicated purpose only.



M 1:1



Material		Tolerance to	
Treatm.		Last CH. 05.09.2007	
Colour		Dok.No ZT 059 8007 Rh	
Note		Repl. for	
Volume		Scale 2:1	
Description		Drwgn 23.02.2007 Rh	
SC-RJ IP20 1 Channel		Appr 23.02.2007 Eo	
		Seen 23.02.2007 Thr	
 Reichle & De-Massari AG Binzstrasse 31 CH-8622 Wetzikon Switzerland Telephone +41 44 933 81 11 Telefax +41 44 930 49 41		Type LWL Form A4 Pg 1(1)	
Art No		70677-7	
		Index b Version	