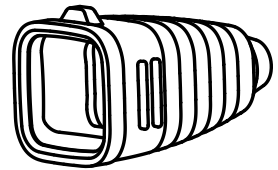
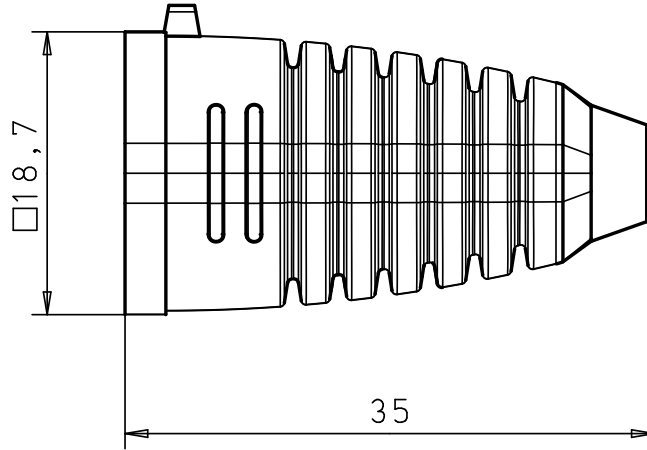

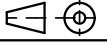


We reserve all rights to this document. The recipient acknowledge this and shall not without our written consent disclose them to any third party and be used for the indicated purpose only.



|  |  |        |        |   |           |         |            |            |
|--|--|--------|--------|---|-----------|---------|------------|------------|
| Material   |  |        |        | Tolerance to  |           |         |            |            |
| Treatm.  |  |        |        | Last CH.  |           |         |            |            |
| Colour   |  |        |        | Dok.No  |           | ZT 059. |            |            |
| Note   |  |        | Weight |   | Repl. for |         |            |            |
| Description<br><i>Splash cover</i><br><i>Rubber-cuff</i>   |  |        |        | Scale   |           | Drwgn   | 17.03.2003 | <i>mug</i> |
|  |  |        |        | 5:1   |           | Appr    | 17.03.2003 | <i>Ma</i>  |
|  |  |        |        |   |           | Seen    | 17.03.2003 | <i>Gt</i>  |
|  Reichle & De-Massari AG<br>Binzstrasse 31<br>CH-8622 Weizikon<br>Switzerland<br>Telephone +41 1 933 81 11<br>Telefax +41 1 930 49 41 |  | Type   | ST     |  | Form      | A4      | Pg         | 1(1)       |
|  |  | Art No | 306064 |   | 80296-7   |         | Index      | Version    |