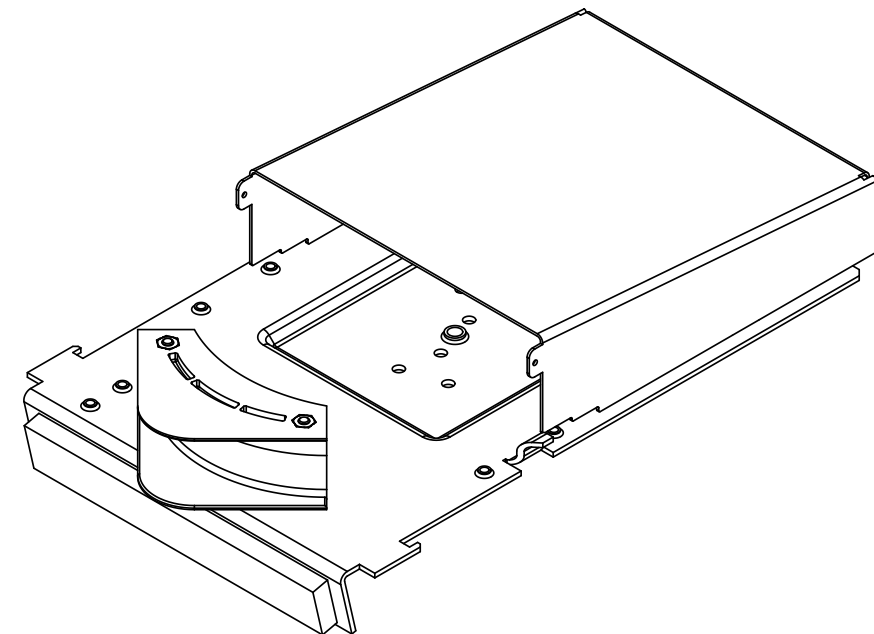
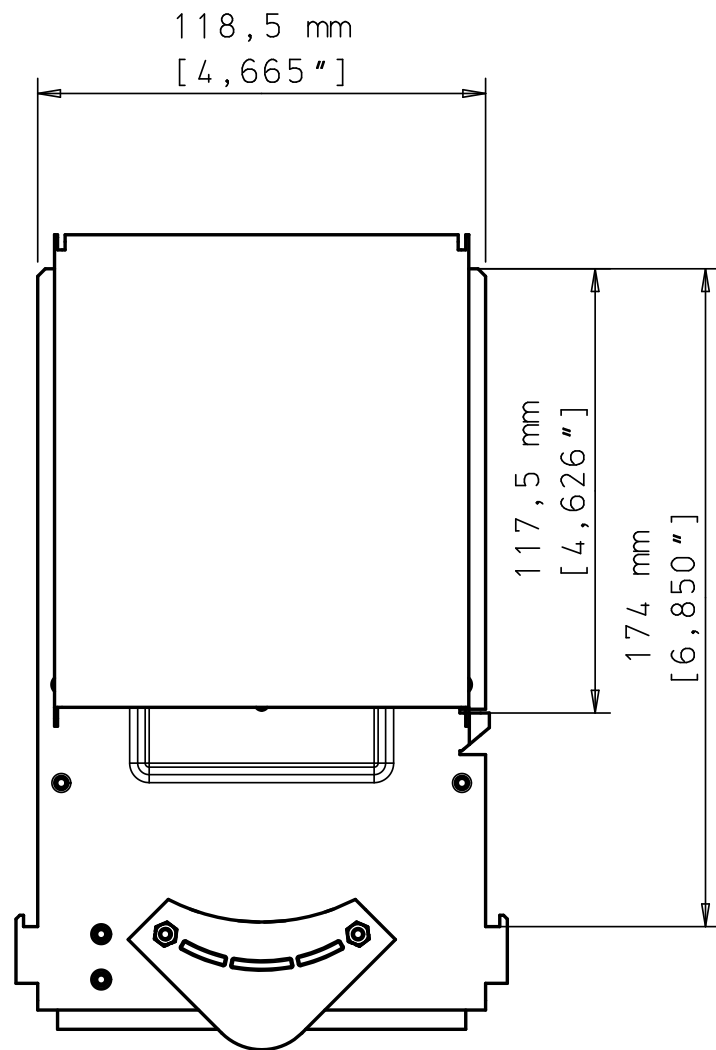
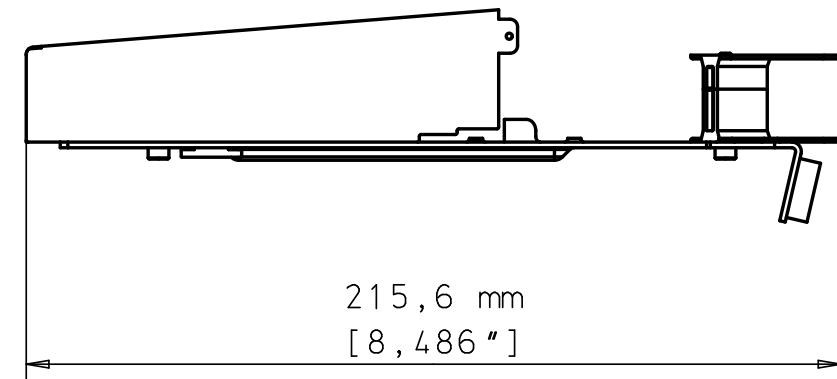
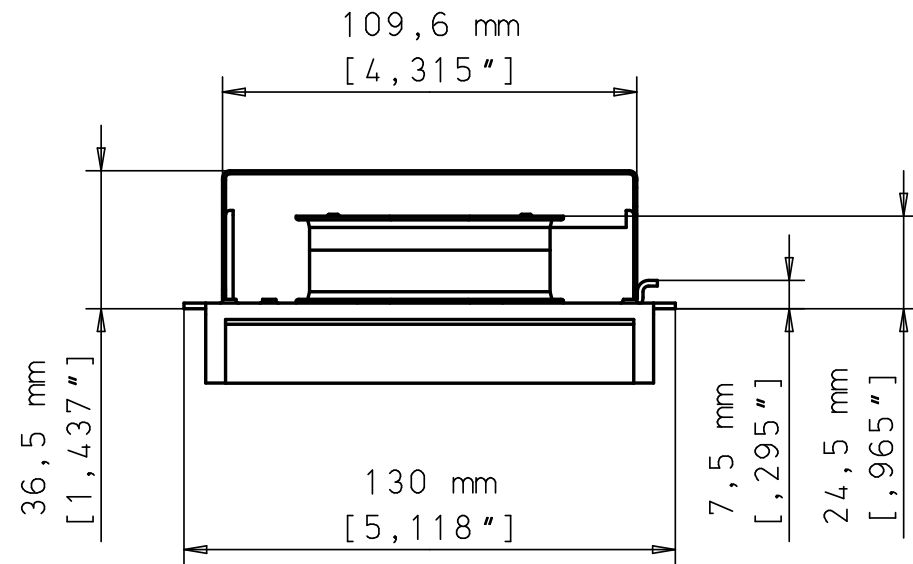


We reserve all rights to this document. The recipient acknowledges this and shall not without our written consent disclose them to any third party and be used for the indicated purpose only.



Material		Tolerance to	
Treatm.		Last CH.	06.12.2004
Colour		Dok.No	ZT 059.7040 Eo
Note		Repl. for	
Description LWL Ueberlaengmodul	Type LWL	Scale	Drwgn 07.08.2001 Sy
		1:2	Appr 15.10.2001 Sg
			Seen 16.10.2001 Kb
 Reichle & De-Massari AG Binzstrasse 31 CH-8622 Wetzikon Switzerland Telephone +41 1 933 81 11 Telefax +41 1 930 49 41	Art No	Form A3 Pg 1(1)	Index Version
		70282-7	c