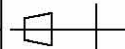
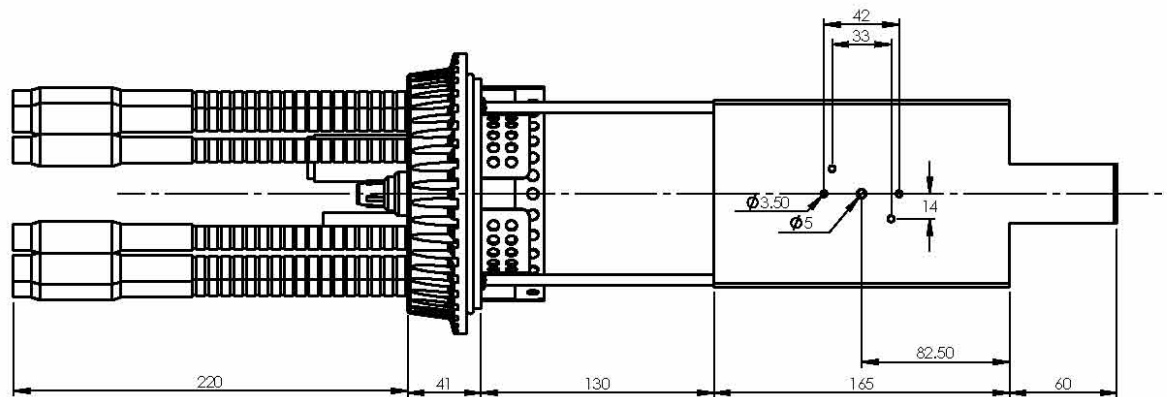
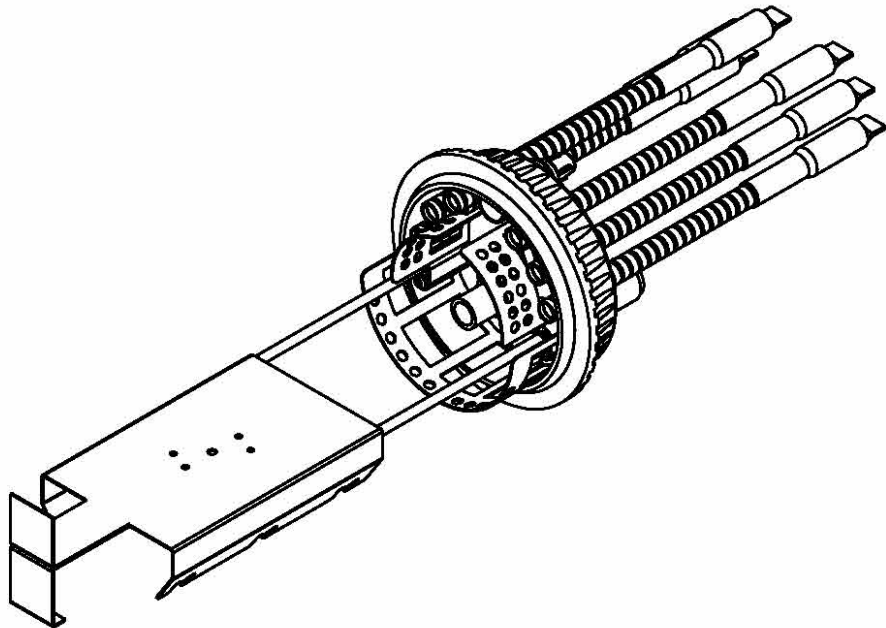
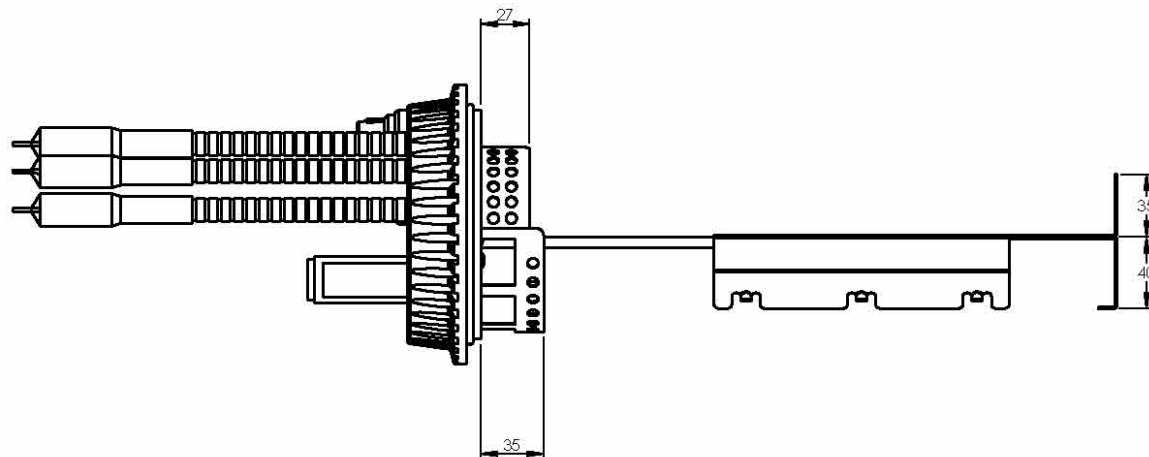
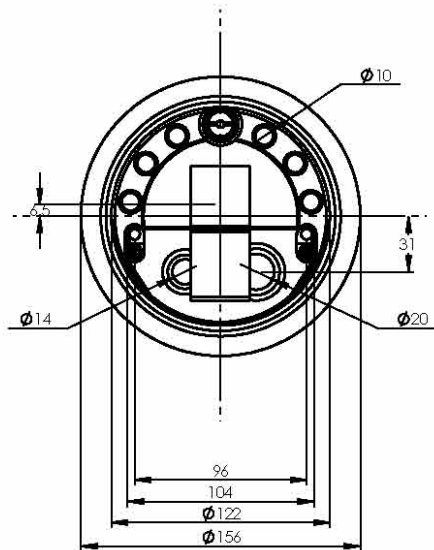


		DIMENSIONS ARE IN mm		NAME	DATE	R&M
		DRAWN	K.A. Hvidsten	29 Sep 06		
		CHECKED	J.G. Du Plessis	03 Oct 06		
		ENG APPR.				
		COLOUR	Black/Yellow RAL 1023	MFG APPR.		
		MATERIAL	Polymer/Metal	O.A.		
NEXT ASSY	USED ON	FINISH	Injection Moulded	COMMENTS:		R314306
APPLICATION	DO NOT SCALE DRAWING					
		SHEET	A3	DWG. NO.	1.1.02.02.54.002D	REV 01
		SCALE 1:3		PART NO.	L104-2006	SHEET 1 OF 3

ALL OF THE BELOW DRAWING VIEWS EXCLUDE SWINGCLAMP AND CLOSURE COVER



		DIMENSIONS ARE IN mm		NAME		DATE		R&M
		DRAWN		K. A. Hvidsten		29 Sep 06		
		CHECKED		J.G. Du Plessis		03 Oct 06		
		ENG APPR.						
		MFG APPR.						
		DIMENSION		COLOUR		MATERIAL		R314306
		Telecom		Black/Yellow RAL 1023		Polymer/Metal		
		FINISH		COMMENTS:				
		NEXT ASSY		USED ON		SCALE: 1:3		
		APPLICATION		DO NOT SCALE DRAWING		PART NO. L104-2006		
						DWG. NO. 1.1.02.02.54.002D		01
						SHEET 2 OF 3		