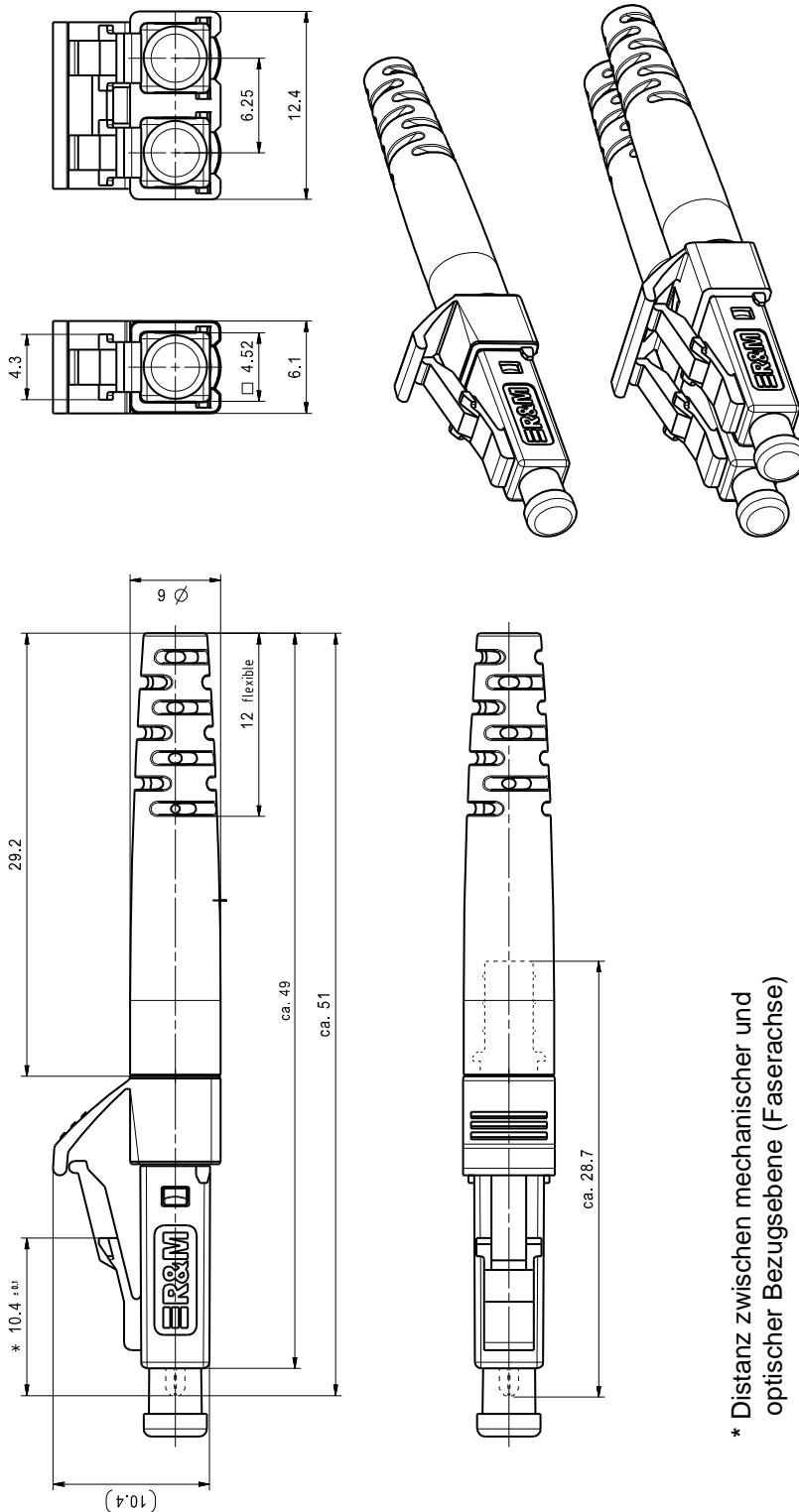

	Connector-LC-customer drawing			Item Number:
	Stecker-LC-Kundenzeichnung			514007
Document status:	EngReleased	Prep: Jsc	Date: 22.10.2014	Revision: E
Department:	000	Appr: Sb	Date: 22.10.2014	Page: 1/2
Document type:	_07 Customer Drawing-Datasheet			

Patchkabel / Patch cord: Eng. Assembly 514005

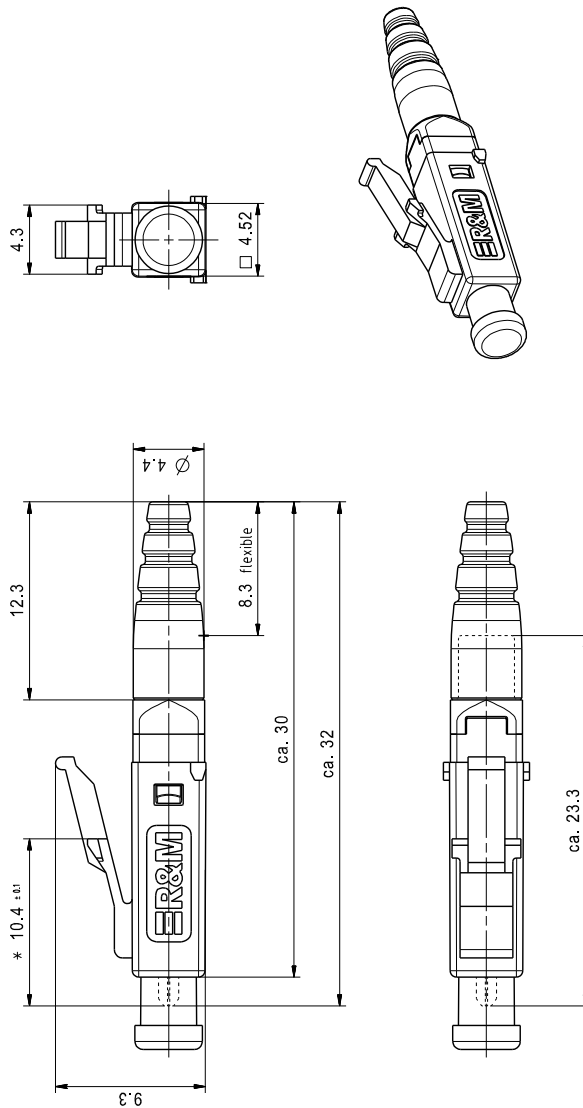


* Distanz zwischen mechanischer und optischer Bezugsebene (Faserachse)

* Distance between mechanical and optical reference plane (fibre axis)

	Connector-LC-customer drawing			Item Number:
	Stecker-LC-Kundenzeichnung			514007
Document status:	EngReleased	Prep: Jsc	Date: 22.10.2014	Revision: E
Department:	000	Appr: Sb	Date: 22.10.2014	Page: 2/2
Document type:	_07 Customer Drawing-Datasheet			

Pigtail: Eng. Assembly 513159



* Distanz zwischen mechanischer und optischer Bezugschse (Faserachse)

* Distance between mechanical and optical reference plane (fibre axis)