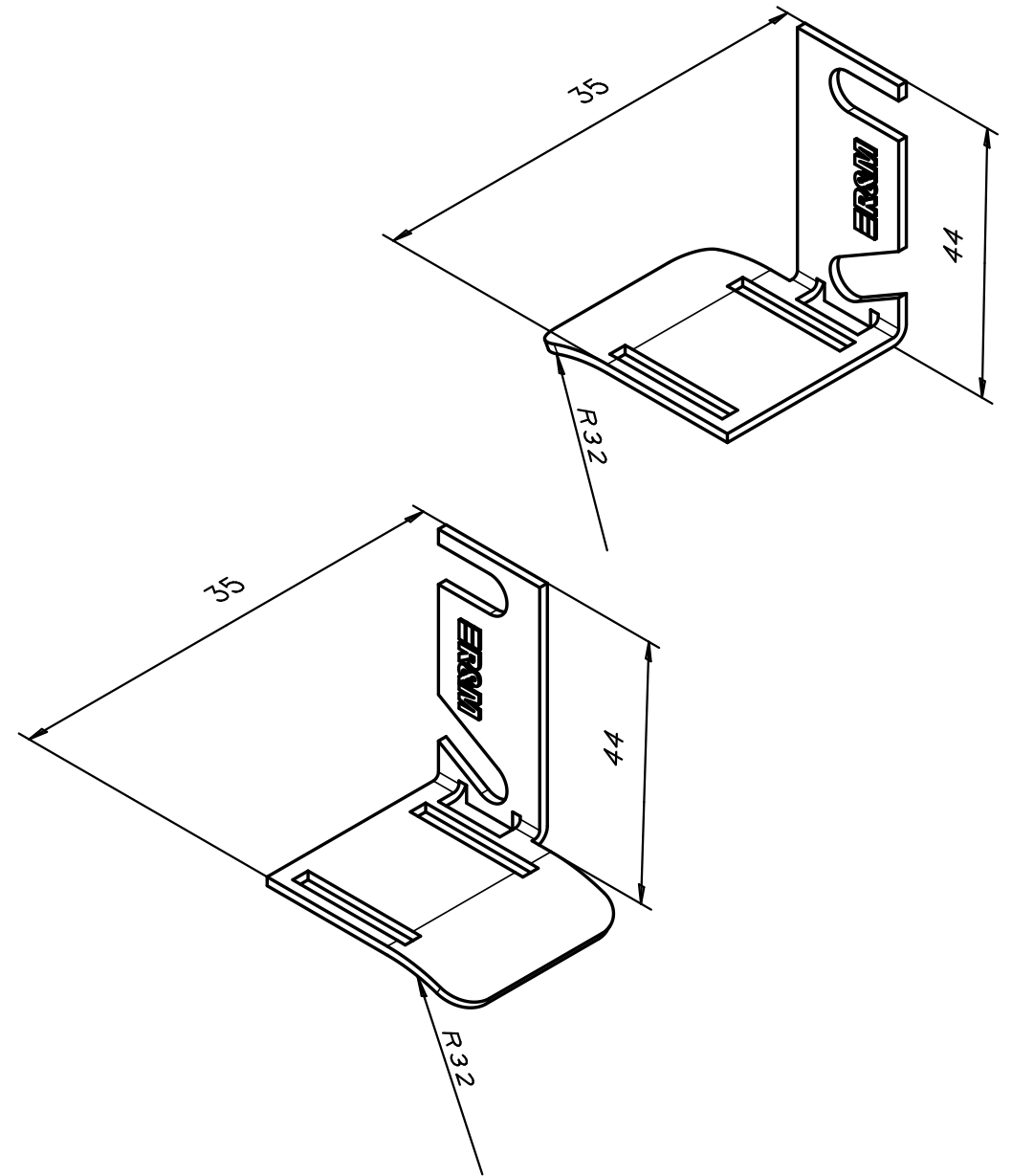
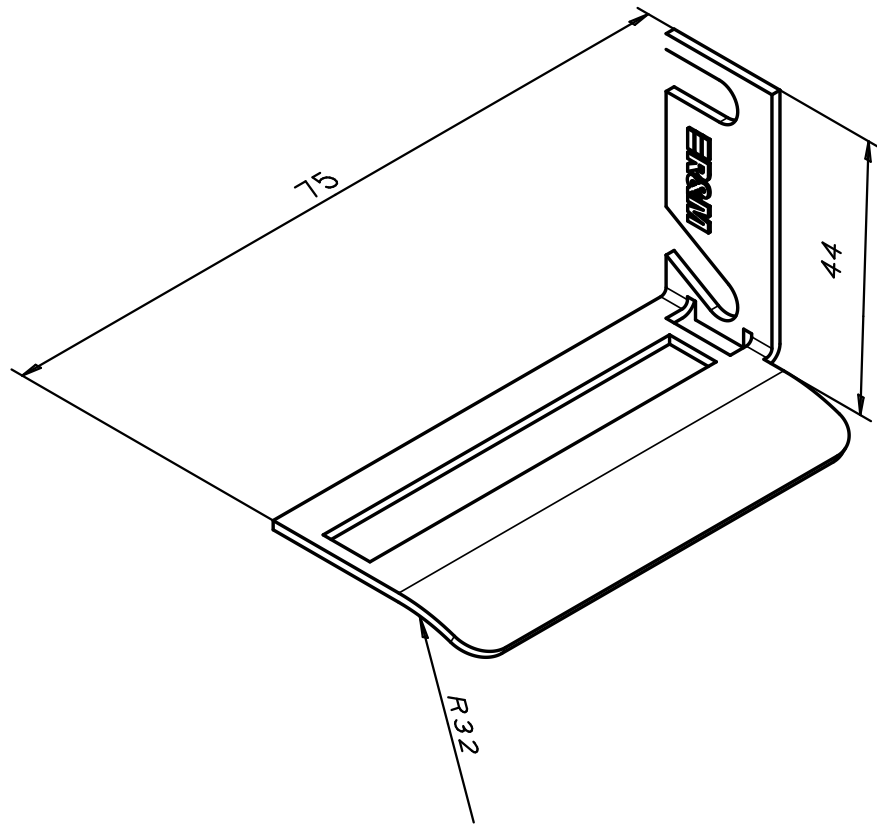
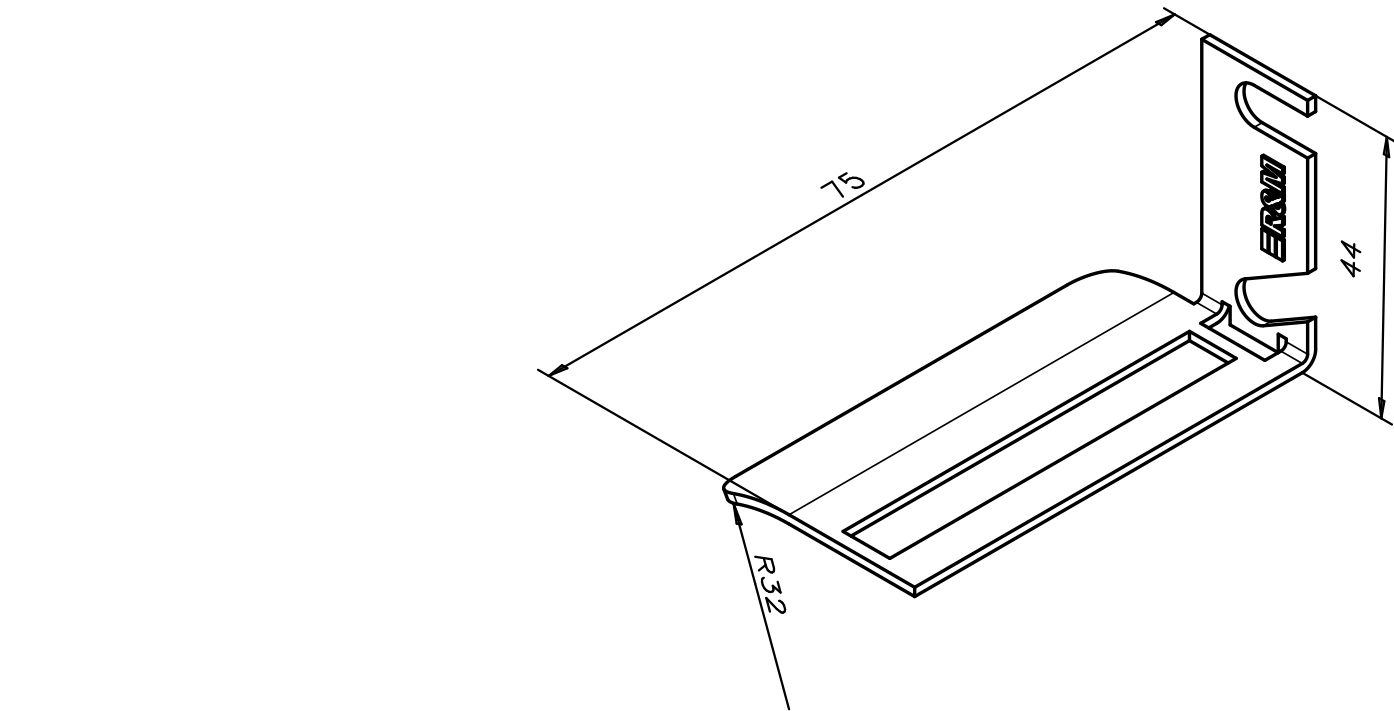



We reserve all rights to this document. The recipient acknowledges this and shall not without our written consent disclose them to any third party and be used for the indicated purpose only.

c

b

a



Material		Tolerance to	
Treatm.	.	Last CH. 01.03.2007	
Colour	.	Dok.No	ZT 059.7844 De
Note		Weight	Repl. for
Description		Scale	Drwgn
FO patching rings		1:1	28.09.2004 Thr
			Appr
			21.02.2001 Sy
			Seen
			21.02.2001 Kb
 Reichle & De-Mossari AG Binzstrasse 31 CH-8622 Metzikon Switzerland Telephone +41 44 933 81 11 Telefax +41 44 930 49 41		Type	LWL
		Art No	.
		Form	A3 Pg 1/1
		70201-7	
		Index	Version
		c	