

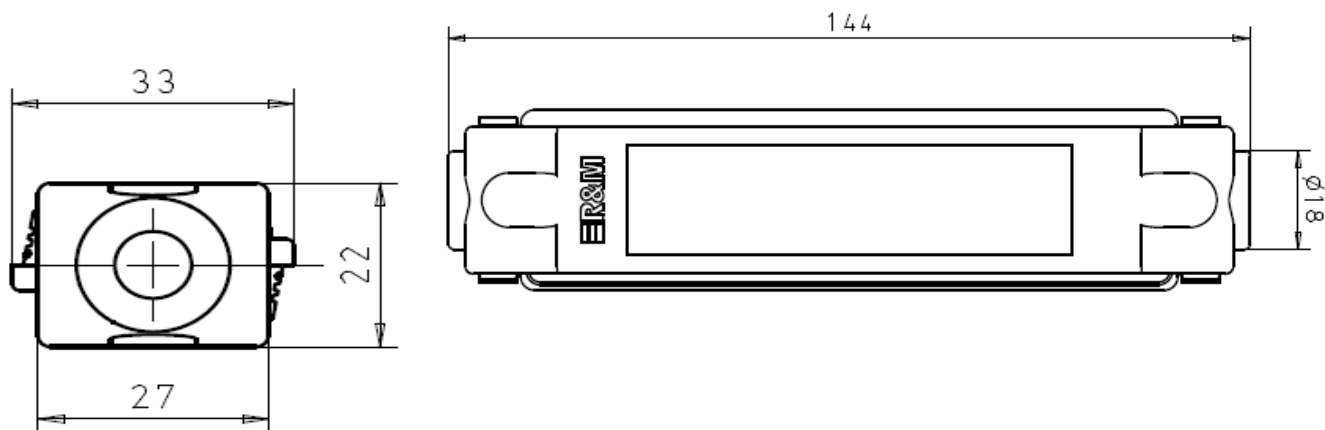
Technical Data Sheet



RCB – Connection Box IP20


Get more with R&M

- Protection class from IP20
- Stable and strong design
- Mountable with screws
- Large cable opening up to 8.5mm
- Universal housing for FO / copper
- Large labeling field
- Retrofittable seal for copper / FO



Features RCB - Box	Value	Standard
Housing material	PA66	
Color	RAL 7000 gray	
Protection class	IP20	
Operating temperature range	-20 ° to+ 60 °	
Fire resistance	UL94 V0	-IEC 61084-2-2 Standard
Assembly	Without special tools	
Copper cable min. + max	4.5 to 8.5mm	
FO/POF cable diameter	1.9 to 3.2mm	

Order information :

Picture	Description	Packing Unit
	RCB – Connection Box IP20	1