

# Generic Splice Closure for max. 288 Fibers

13.03.2015 / v1.0 / Ts

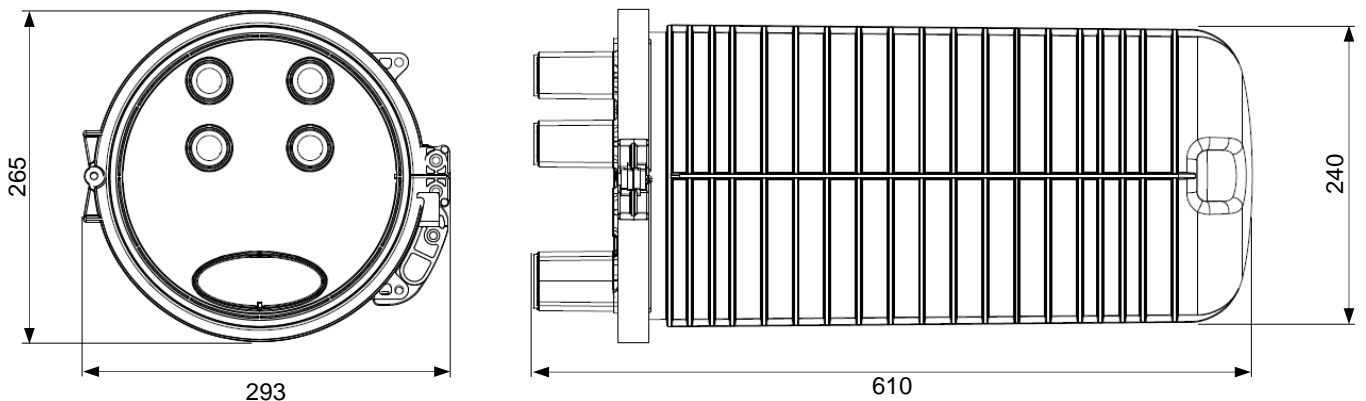


- Environmental protection IP68
- Ergonomically designed
- Ready to install (including splice protectors and heat shrinks for cable entries)
- Integrated storage basket for uncut or expressed loose tubes
- hinged splice trays for access to any splice during and after installation
- Enough space for cable bend radius as per international standard
- Optional with grounding kit and valve

## Technical Data

Criteria	GSC-D30/50-N-LT/12	GSC-D30/50-GV-LT/12
max. splice capacity	288	288
number of splice trays	12	12
max. number of splices per tray	24	24
number of ports	round 4 oval 1	round 4 oval 1
cable diameter	Ø 8 – 25mm	Ø 8 – 25mm
cable entry sealing	heats shrink sleeves	heats shrink sleeves
options		
with valve	no	yes
with grounding	no	yes
Material		
closure body	Polypropylene	Polypropylene
splice trays	ABS	ABS
weight		
packed	8.0kg	8.0kg
unpacked	6.2kg	6.2kg
protection class	IP68 (5m)	IP68 (5m)

## Dimensions



## Scope of Delivery

- dome splice closure fully assembled
- 12 splice trays with cover for up to 24 splices
- 300 splice protectors (heat shrink)
- 1 cable sealing kit for oval port
- 4 cable sealing kit for round ports
- all necessary installation materials

Criteria	Requirements test setup		
Environmental protection IP6x (solid particle protection)	Dust chamber under vacuum	8h	IEC/EN 60529
Environmental protection IPx8 (5m) (liquid ingress protection)	Immersion beyond Duration	5m 7d	IEC/EN 60529
Gas (Air) tightness	Internal pressure Allowed pressure change Temperature Duration	1.5kg/cm <sup>2</sup> 0.05kg/cm <sup>2</sup> ambient 24h	
Axial tension	Tension applied longitudinally on cables Duration	50kg 30min	
Torsion	Torque Internal Pressure: Distance from Entry Port Rotation Temperature Number of cycles Holding time	10 x D [Nm], (max 50Nm) 0.5kg/cm <sup>2</sup> 250mm 90° ambient 5 5min	
Flexure	Test Pressure Force Bending Number of cycle Duration	0.5kg/cm <sup>2</sup> max. 500N 30° 5 5min	
Impact	Striking force Dropping height Radius of spherical weight Number of impacts	5kg 500mm 50mm 3 impacts	
Static load	Static load Duration	250kg 24h	
Water ingress	Immersion Temperature Duration	2m (water head) ambient 7d	
Aggressive media	pH 12 pH 2 Kerosine Petroleum jelly Fuel oil	5d 5d 5d 5d 5d	
Drop and topple test	Drop height Number of drops Base	2m 5 25cm thick steel bed	