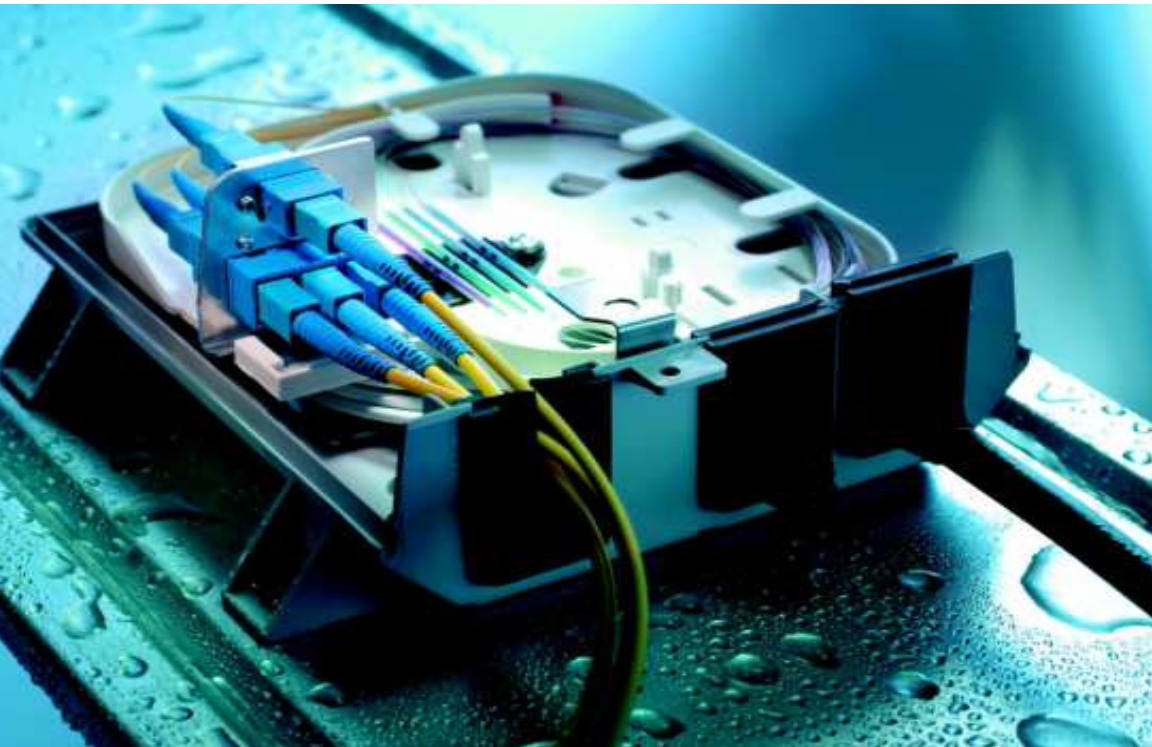


Technical Data Sheet



VENUS – The talent for the future

 **R&M**

Convincing cabling solutions

About this data sheet

This document has been drafted with utmost care and reflects the products engineering level at the time of publication. Amendments or corrections to this document will be included in each new edition. Subject to technical change without notice.

Edition 3.0
January 2009

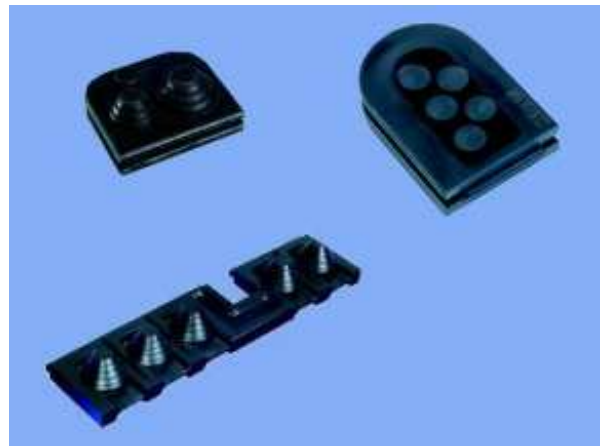
VENUS Material

Outside Material

Component	Material	Colour	Flammability
Back panel	ASA UV – stabilized, halogen free	Anthracite, RAL 7016	UL94-HB
Cover	ASA UV – stabilized, halogen free	Anthracite, RAL 7016	UL94-HB
Entry plug	EPDM+PP - Santoprene 101-64	Black, RAL 9005	UL94-HB

Inside Material

Mounting rail	Stainless steel (1.4301)		
DIN 35 rail	Stainless steel (1.4301)		
Strain relief	PA66 – GF	Black, RAL 9005	UL94-HB
Earthing	Stainless steel (1.4301)		



Material of accessories

Part	Material
Pole fixing bracket	Stainless steel (1.4301)
Cable clamp	Stainless steel (1.4301)



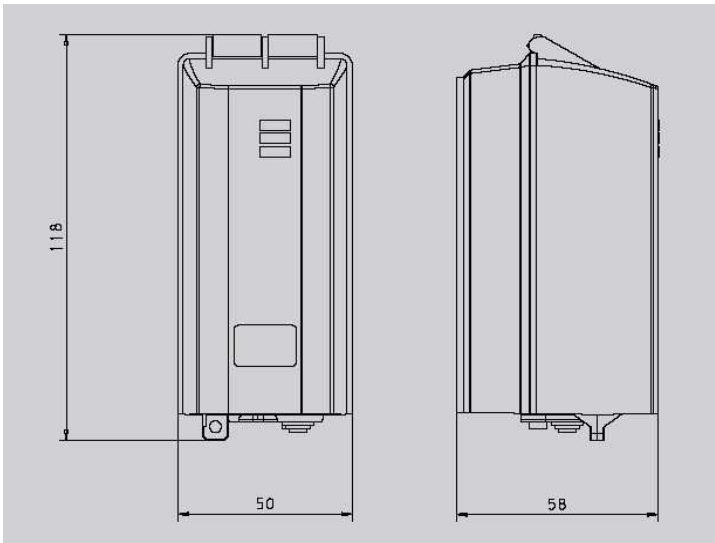
Pole fixing bracket



Cable clamp

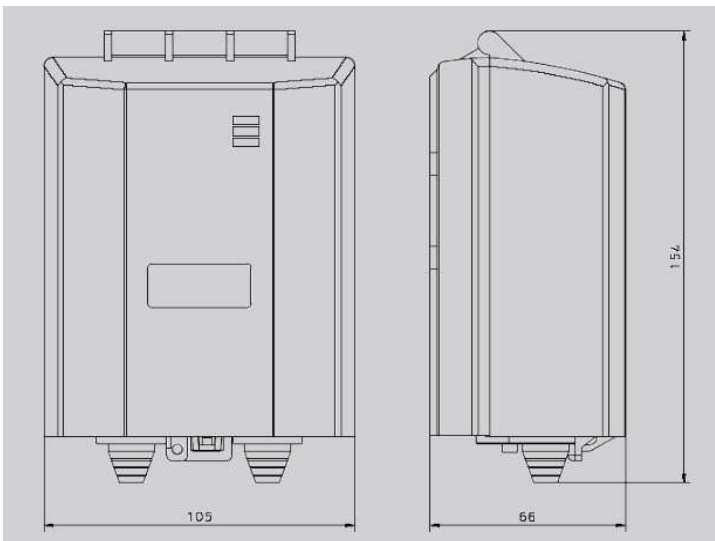
VENUS Dimensions

VENUS Type	Max. Capacity with connection	Entry plug for cable in mm	Dimensions in mm (width x depth x height)
Type CSM (Copper <u>S</u>mall) for:			
Connector Modules	3 x 2 VS Compact	1 x Ø 11 1 x Ø 8 1 x Ø 4	50 x 58 x 118
Dropwire Modules	2 x Dropwire R&M	1 x Ø 8 1 x slot 1 x Ø 4	50 x 58 x 118
Type CME (Copper <u>M</u>edium) for:			
Connector Modules	1 x 10 VS Compact	2 x Ø 14 2 x Ø 4	105 x 66 x 154
Dropwire Modules	5 x Dropwire R&M	1 x Ø 14 1 x slot 1 x Ø 4	105 x 66 x 154
Type CLA (Copper <u>L</u>arge) for:			
Connector Modules	5 x 10VS Compact 5 x 10 VS Standard 5 x 20 VS Compact	2 x Ø 25 5 x Ø 13 4 x Ø 4	234 x 83 x 272
Dropwire Modules	20 x Dropwire R&M	2 x Ø 25 5 x slot 4 x Ø 4	234 x 83 x 272
Type FML (Fiber <u>M</u>edium <u>L</u>arge) for:			
Small Distributor	max. 4 x E-2000 / SC / ST / FC / LC 2 x E-2000- / SC-Compact	2 x Ø 20 1 x slot 4 x Ø 5	146 x 83 x 195
Type FLA (Fiber <u>L</u>arge) for:			
Splice through (without look)	max. 72 splices (6 splice trays)	2 x Ø 25 5 x Ø 13 4 x Ø 4	234 x 83 x 272
Splice through (with look)	max. 48 splices (4 splice trays)		
Small Distributor	12 x ST / FC 24 x E-2000 TM / SC	2 x Ø 25 5 x Schlitz 4 x Ø 4	234 x 83.5 x 258
Type HLA (Hybrid <u>L</u>arge) for:			
Hybrid	12 splices (splice through) 5 x 10 VS Compact	2 x Ø 25 5 x Ø 13 4 x Ø 4	234 x 83 x 272



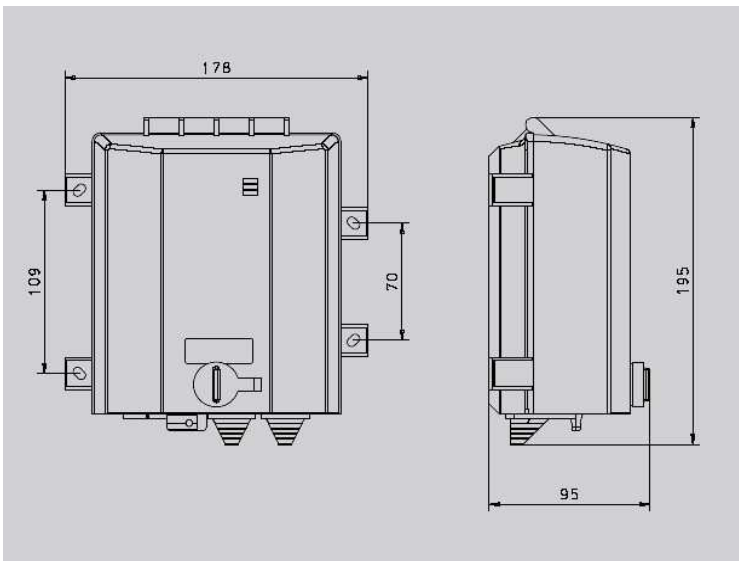
VENUS type CSM

Width : 50 mm
Depth : 58 mm
Height : 118 mm, open 145 mm
Weight : approx. 70 g



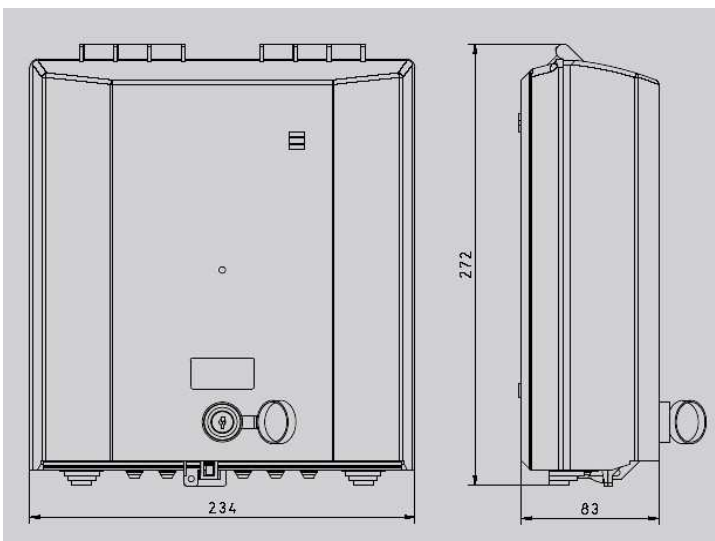
VENUS type CME

Width : 105 mm
Depth : 66 mm
Height : 154 mm, open 270 mm
Weight : approx. 195 g



VENUS type FML

Width : 146 mm
Depth : 83 mm
Height : 195 mm, open 339 mm
Weight : approx. 545 g



VENUS type CLA, FLA, HLA

Width : 234 mm
Depth : 83 mm
Height : 272 mm, open 500 mm
Weight : approx. 815 g

Test (Completely Box)

Mechanical characteristics		
Characteristics	Description	According to
Handling at operation temperature test	Assemble and termination at operation temperature: - 20°C / + 55°C	IEC 60721-3-4
Transport and storage temperature test	Open / close the box at transport and storage temperature: - 40°C / +85°C	Internally test
drop test	No damages at fall: - From 2 meters altitudes upon wood-ground - From 4 meters altitudes upon asphalt-ground	Internally test
Impact test	Impact on differently parts of the box: (After 35 weeks dry heat at +85°C) - Impact 6.8Nm (1.3 meter, 0.54 Kg, Ø50.8mm)	UL 1863, No. 34
Vibration test	Vibration in x-, y-, z-axis: - 10 Hz up to 19 Hz, 1g acceleration - 19 Hz up to 55 Hz, 0.75mm amplitude - 55 Hz up to 150 Hz, 1g acceleration	IEC 60068-2-6 VDE 0804 Bellcore TR-NWT 000975 VDE 0804

Environmental characteristics		
Characteristics	Description	According to
Dust and Water protection	IP54 (with cable entry plug) Dust: Protection against dust (no aggressive deposits) Water: Protection against splashing water from all directions	IEC 60529
Salt mist test	Temperature: 35°C Salt concentration: 50g NaCl / liter at pH 6.5 Salt mist quantity: 1,8ml / hour • 80cm ² Time: 96 hour	IEC 60068-2-11
Sulphur dioxide test	Temperature: 22°C Gas concentration: 10ppm SO ₂ Relative Humidity: 75% Time: 10 days	IEC 60068-2-42
Hydrogen sulphide test	Temperature: 22°C Gas concentration: 1ppm H ₂ S Relative Humidity: 75% Time: 4 days	IEC 60068-2-43
Dry heat	Temperature: 85°C Time: 14 weeks	IEC 60068-2-2
Damp heat, cyclic (12 + 12-hour cycle)	Temperature: 25°C / 55°C Relative Humidity: 93% Time: 14 weeks	IEC 60068-2-30

