

Features

- Up to 12 plugged connections on 7HP
- Guaranteed bending radius of 35 mm
- Pre-numbered front plates, extra labeling field
- Choice of cable entry of 45° or 90°
- Hold-down cross protecting the fibers
- Up to 144 fibers per 19" 3U Global patch panel
- Spleiss- and Break-Out Version

Technical data

Criteria	Date / value
Rack insert component	Insert module fitting to Global-Patch-Panel
Connector type front	
Connector type	LC-Duplex, SC-Simplex, SC-Duplex, E-2000™-Simplex, E-2000™-Compact, ST, FC
Polish	8° APC (SM), PC (SM, MM)
Color of connector	Green (SM APC), Blue (SM PC), Beige (MM), ST & FC metallic
Color of adapter	Green (SM APC), Blue (SM PC), Beige (MM), ST & FC metallic

Mechanical characteristics

Criteria	Date / value
Material housing	Polycarbonate (PC), fiber-glass reinforced, halogen-free (UL 94 V-0)
Color housing	Gray (NCS 2502-B)
Material frontplate	Aluminium eloxadized, polycarbonate (PC), fiber-glass reinforced, halogen-free (UL

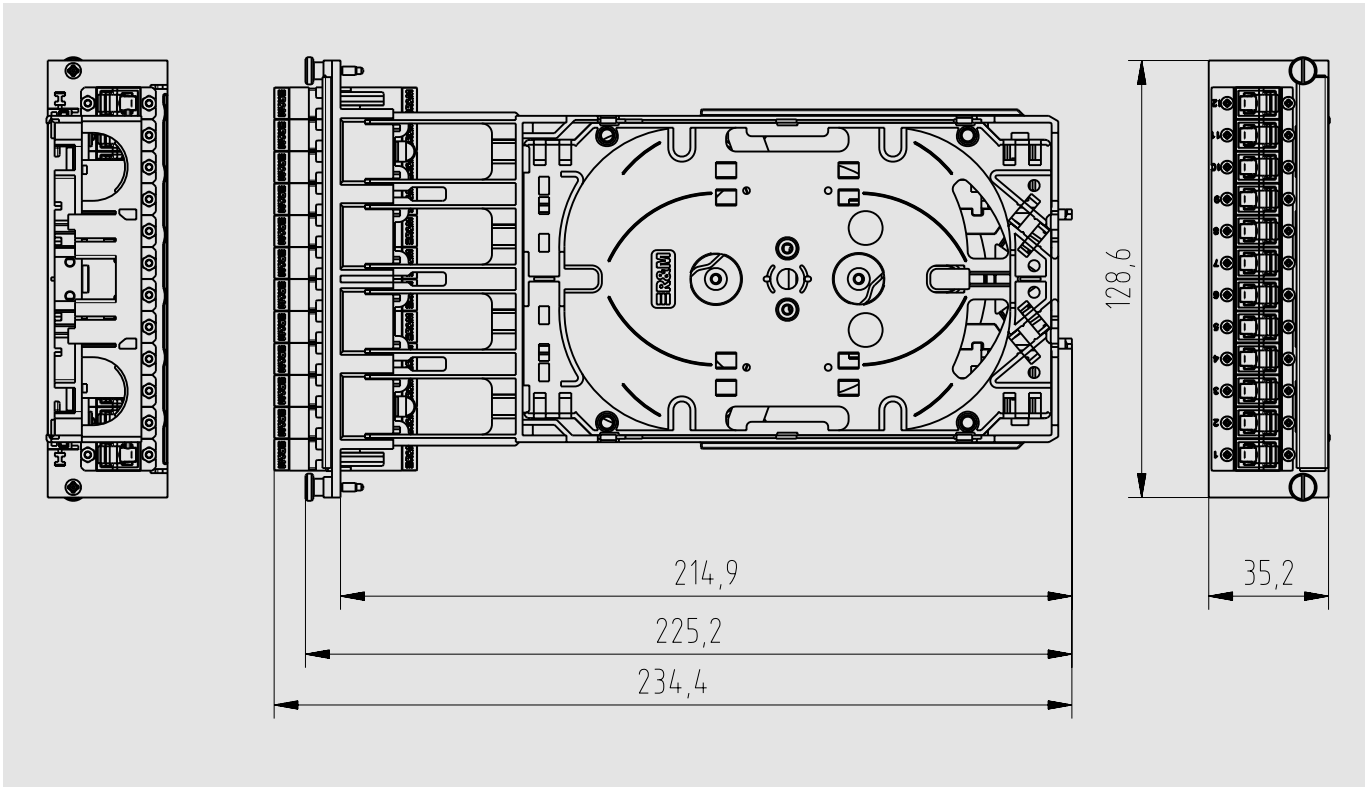
Environmental characteristics

Criteria	Date / value	Standard
Operation temperature	-40°C to +70°C	
IP protection class	IP20 (protection against contact)	IEC 60529

Optical performance

Optical performance	Date / value
Insertion loss (IL)	See specified connector datasheet
Return loss (RL)	See specified connector datasheet

Dimension Splice Version



Dimension Break-Out Version

