

Technical Datasheets



R&M Global Outlet SC-Duz

Global Outlet SC-DUZ

These outlets are designed for wall and flush installation on walls as well as ducts. The installation cables can enter through the side or from the back. The mounting plate supplied with each outlet kit allows wall-mounted installations. Plastic halogen free in acc with DIN/VDE 0472/815.

The SC-Duz front plates make it possible to install cables fast and conveniently.

Standard:

IEC 61753-1-1, Category C – Controlled Environment

In-House Testing after Standard:

IEC 61300-2-18: Dry warm for outlet

IEC 61300-2-17: Cold

In-House Testing according to Standard:

IEC 61300-2-19: Humidity warm

In General

Material		PC+ABS
Colour:		pure White
R Number		
	FO FM Global Outlet 2x SC-Duz, 88x88	R316072
	FO WM Global Outlet 2x SC_Duz, 80x80	R316073
	FO DM Global Outlet 2x SC-Duz, 80 x 86	R316074

Measure

WM Global SC_DUZ

Width	80 mm
Length	80 mm
Height	67 mm

FM Global SC-Duz

Width:	88 mm
Length:	88 mm

DM Global SC-DUZ

Width	86 mm
Length	80 mm

Technical Data

Environment temperature

-10°C... 60°C

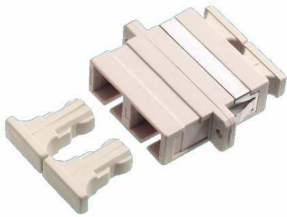
Humidity warm

+40°C

Matching Modules

Connection Module

SC-Duplex



R-Numbers:

R306879

R303561



R Number:

R30805

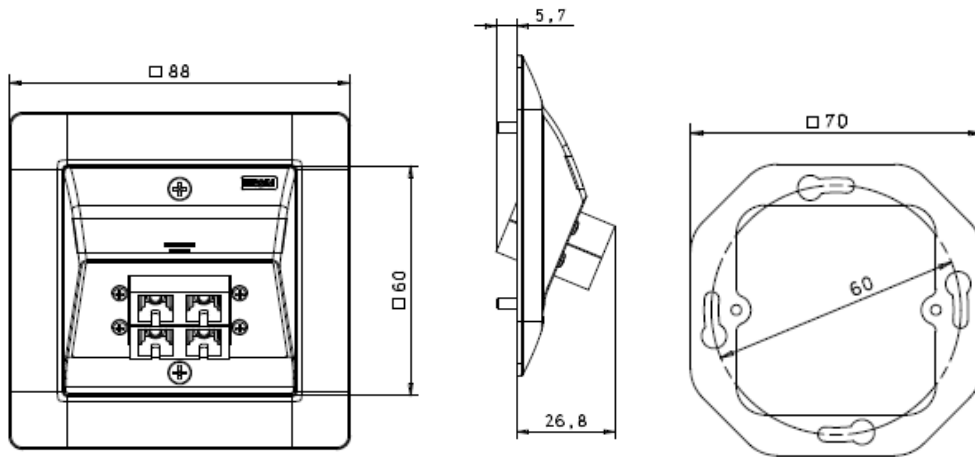
Labelling Sheet:

R312102

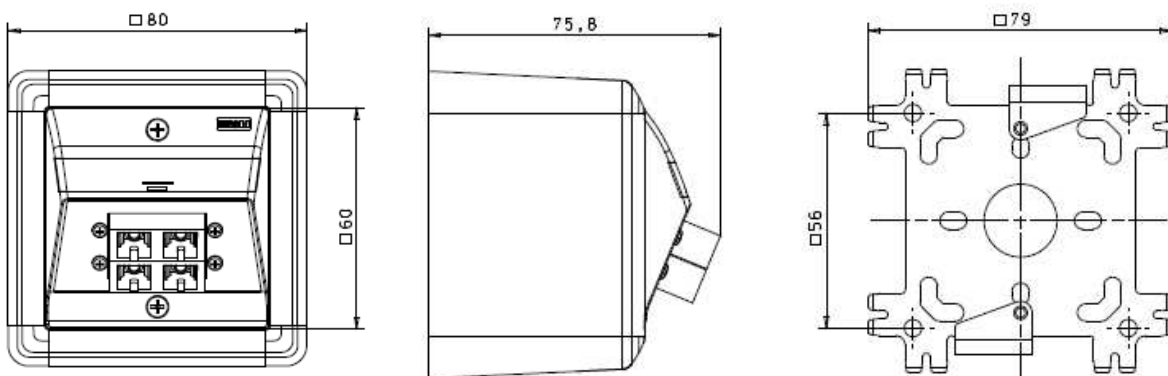


Dimensional Drawing

FM Global Outlet



WM Global Outlet



DM Global Outlet

