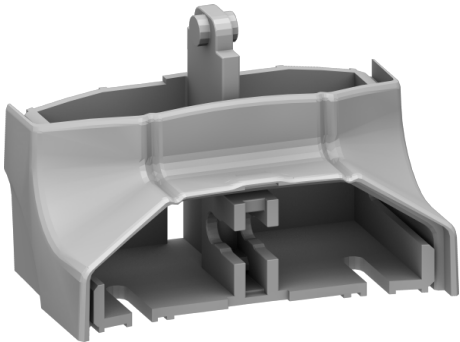


Internal corner, FLEXkanal, lgy

R451540



FLEXkanal inner corner for transition from floor area into the vertically installation for workspace or wall mounted distribution boxes. Two part design of bracket with integrated FLEXkanal connectors and 2 compartments for tool free insertion of cabling. Capacity per compartment: 4 options: 2 cables of Ø 8.5 mm, 3 cables of Ø 7.5 mm, 4 cables of Ø 7.0 mm, or 5 cables of Ø 6.0 mm

TECHNICAL DATA

LEGAL

Halogen Free:

Ja

TENDER TEXT

Internal corner, FLEXkanal, lgy

FLEXkanal inner corner for transition from floor area into the vertically installation for workspace or wall mounted distributon boxes. Two part design of bracket with integrated FLEXkanal connectors and 2 compartments for tool free insertion of cabling. Capacity per compartment: 4 options: 2 cables of Ø 8.5 mm, 3 cables of Ø 7.5 mm, 4 cables of Ø 7.0 mm, or 5 cables of Ø 6.0 mm

Characteristics:

Halogen Free: Ja

Article Number: R451540

ENo: 127655139

Manufacturer: Reichle & De-Massari AG