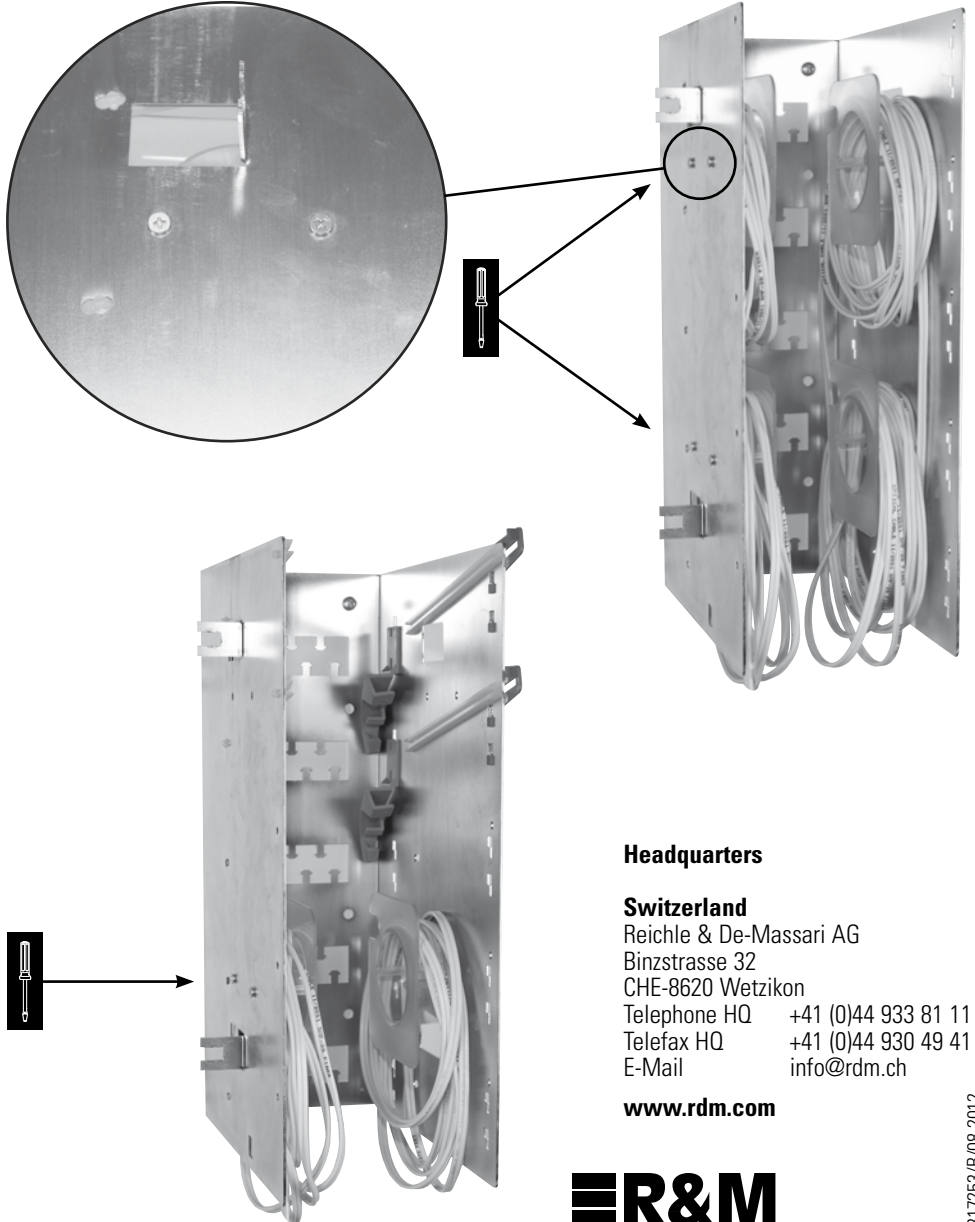
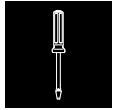


**Installationsanleitung Überlängenset FiberCurb**  
**Installation guide overlength set FiberCurb**  
**Instructions de montage surlonguer set FiberCurb**



**Headquarters**

**Switzerland**

Reichle & De-Massari AG

Binzstrasse 32

CHE-8620 Wetzikon

Telephone HQ +41 (0)44 933 81 11

Telefax HQ +41 (0)44 930 49 41

E-Mail info@rdm.ch

[www.rdm.com](http://www.rdm.com)

**R&M**