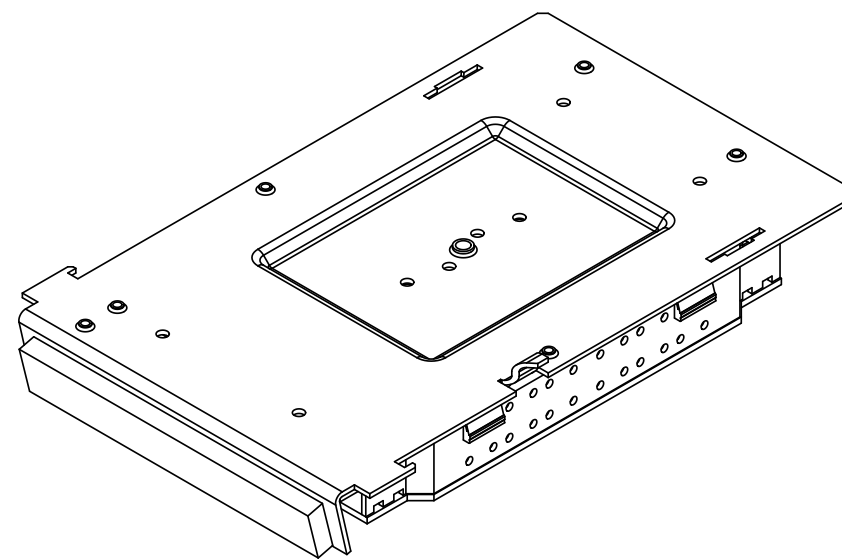
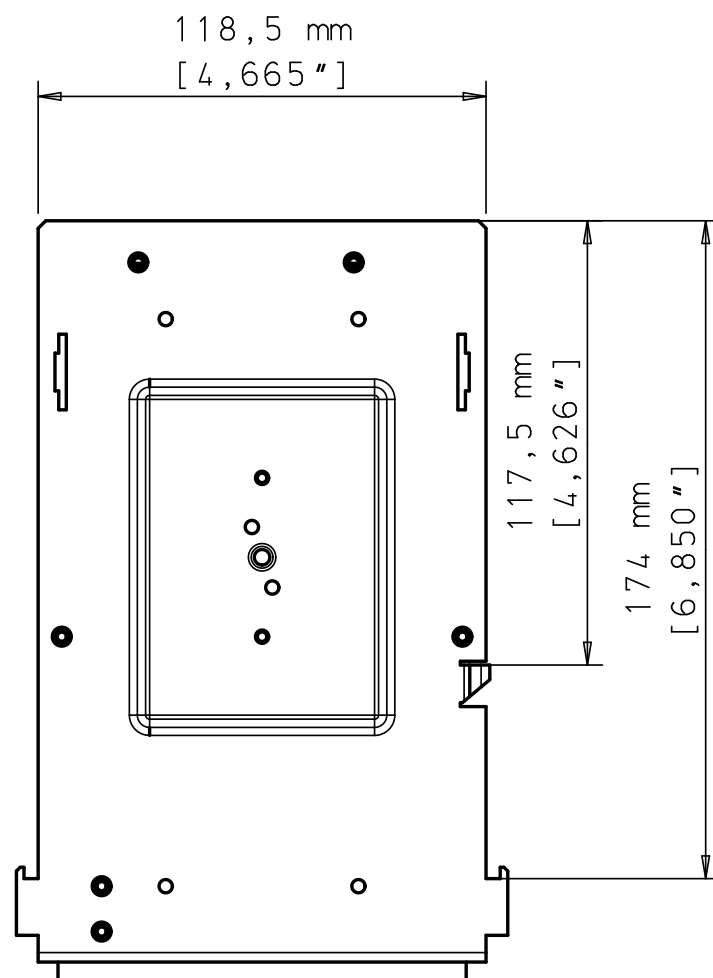
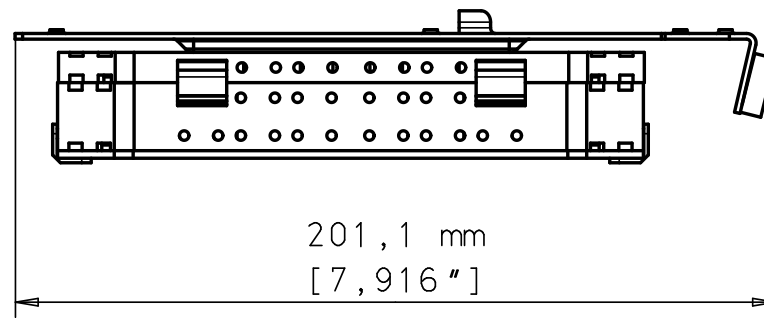
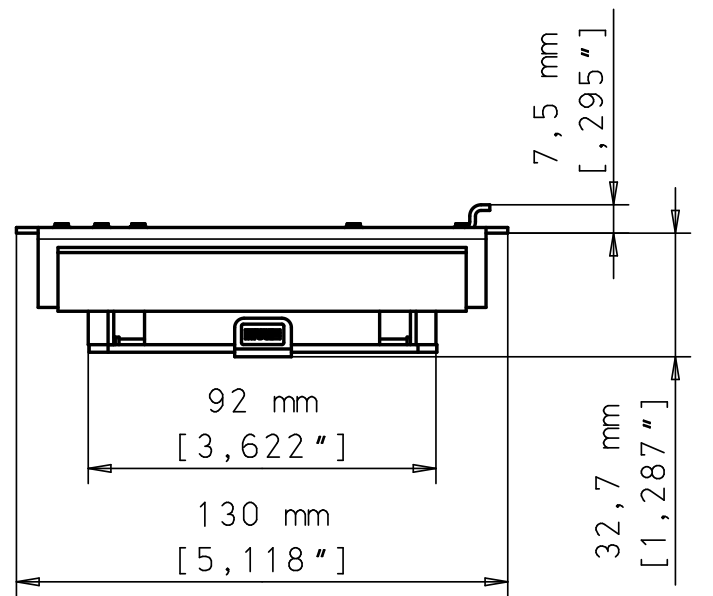


We reserve all rights to this document. The recipient acknowledges this and shall not without our written consent disclose them to any third party and be used for the indicated purpose only.



|                                                                                                                                                                                                               |             |              |               |
|---------------------------------------------------------------------------------------------------------------------------------------------------------------------------------------------------------------|-------------|--------------|---------------|
| Material                                                                                                                                                                                                      |             | Tolerance to |               |
| Treatm.                                                                                                                                                                                                       |             | Last CH.     |               |
| Colour                                                                                                                                                                                                        |             | Dok.No       | ZT 059.       |
| Note                                                                                                                                                                                                          |             | Repl. for    |               |
| Description<br><i>Spleissmodul</i>                                                                                                                                                                            | Type<br>LWL | Scale        | 1:2           |
|                                                                                                                                                                                                               |             | Drwgn        | 04.10.2001 Sy |
|                                                                                                                                                                                                               |             | Appr         | 12.10.2001 Sg |
| <br><small>Reichle &amp; De-Massari AG<br/>         Binzstrasse 31<br/>         CH-8622 Metzikon<br/>         Switzerland<br/>         Telephone +41 1 933 81 11<br/>         Telefax +41 1 930 49 41</small> | Art No      | Seen         | 15.10.2001 Kb |
|                                                                                                                                                                                                               |             | Form         | A3 Pg 1(1)    |
|                                                                                                                                                                                                               |             | 70269-7      |               |
|                                                                                                                                                                                                               |             | Index        | a             |
|                                                                                                                                                                                                               |             | Version      |               |