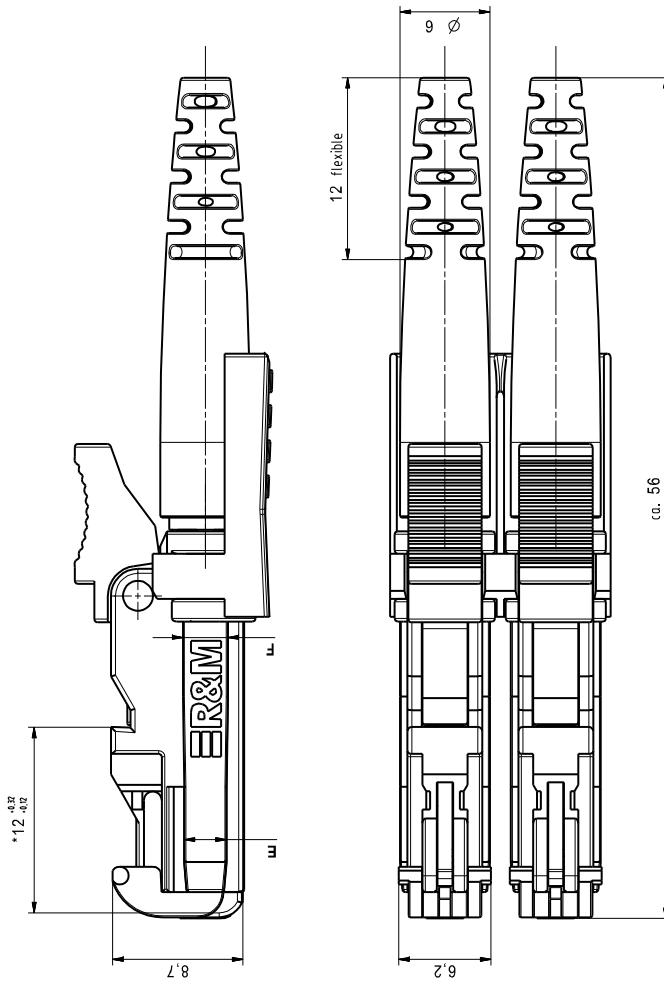
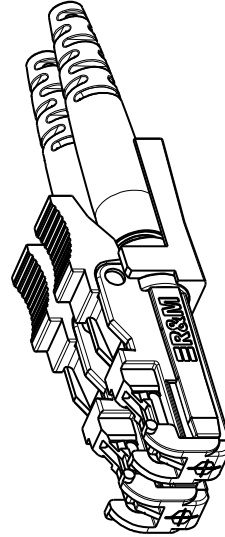
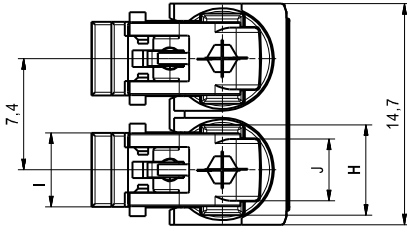
	Connector-LSHRJ-customer drawing			Item Number:	
	Stecker-LSHRJ-Kundenzeichnung			518288	
Document status:	EngReleased	Prep: Jsc	Date: 22.10.2014	Revision:	B
Department:	000	Appr: Sb	Date: 22.10.2014	Page:	1/1
Document type:	_-07 Customer Drawing-Datasheet				

Eng. Assembly 509341



*Referenz in stabilem Zustand gemessen, Messstellen der Faserachse
 *reference measured in stable state, measuring point is the fiber axis

Reference	Dimensions	
	Minimum	Maximum
E	2,75 mm	2,79 mm
F	2,95 mm	2,99 mm
H	5,95 mm	5,98 mm
I	4,93 mm	4,98 mm
J	4,13 mm	4,18 mm