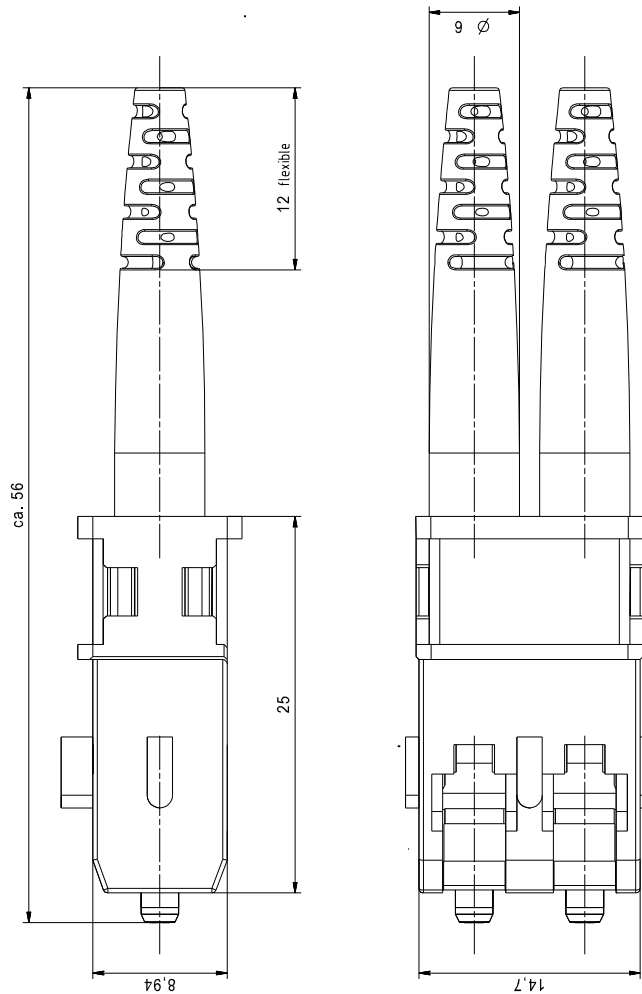
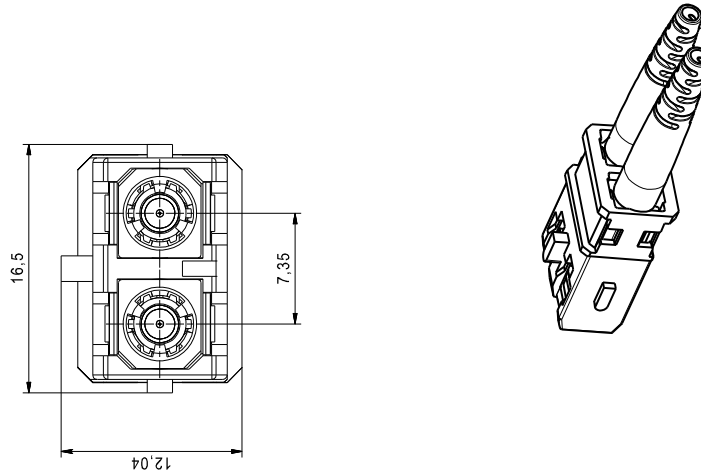
	Connector-SCRJ-customer drawing			Item Number:	
	Stecker-SCRJ-Kundenzeichnung			511289	
Document status:	EngReleased	Prep: Jsc	Date: 22.10.2014	Revision:	B
Department:	000	Appr: Sb	Date: 22.10.2014	Page:	1/1
Document type:	_-07 Customer Drawing-Datasheet				

Eng. Assembly 509396



Abmessungen ohne Codier-Clip
Dimensions without coding clip