

Features

- Up to 12 plugged connections
- Guaranteed bending radius of 35 mm
- Pre-numbered front plates, extra labeling field
- Choice of cable entry of 45° or 90°
- Hold-down cross protecting the fibers
- Up to 48 fibers per 19" 1U HD patch panel
- Spleiss- and Break-Out Version

Technical data

| Criteria | Date / value |
|-----------------------|---|
| Rack insert component | Insert module fitting to Global-Patch-Panel |
| Connector type front | |
| Connector type | LC-Duplex, SC-Simplex, SC-Duplex, E-2000™-Simplex |
| Polish | 8° APC (SM), PC (SM, MM) |
| Color of connector | Green (SM APC), Blue (SM PC), Beige (MM) |
| Color of adapter | Green (SM APC), Blue (SM PC), Beige (MM) |

Mechanical characteristics

| Criteria | Date / value |
|----------------------|--|
| Material housing | Polycarbonate (PC), fiber-glass reinforced, halogen-free (UL 94 V-0) |
| Color housing | Gray (NCS 2502-B, black (RAL 9005) |
| Material frontplate | Polycarbonate (PC), fiber-glass reinforced, halogen-free (UL 94 V-0) |
| Ready for UniPhy | 6 x LC-Duplex, SC-Simplex, E-2000™-Simplex |
| Not ready for UniPhy | 12 x LC-Duplex, SC-Simplex, E-2000™-Simplex |

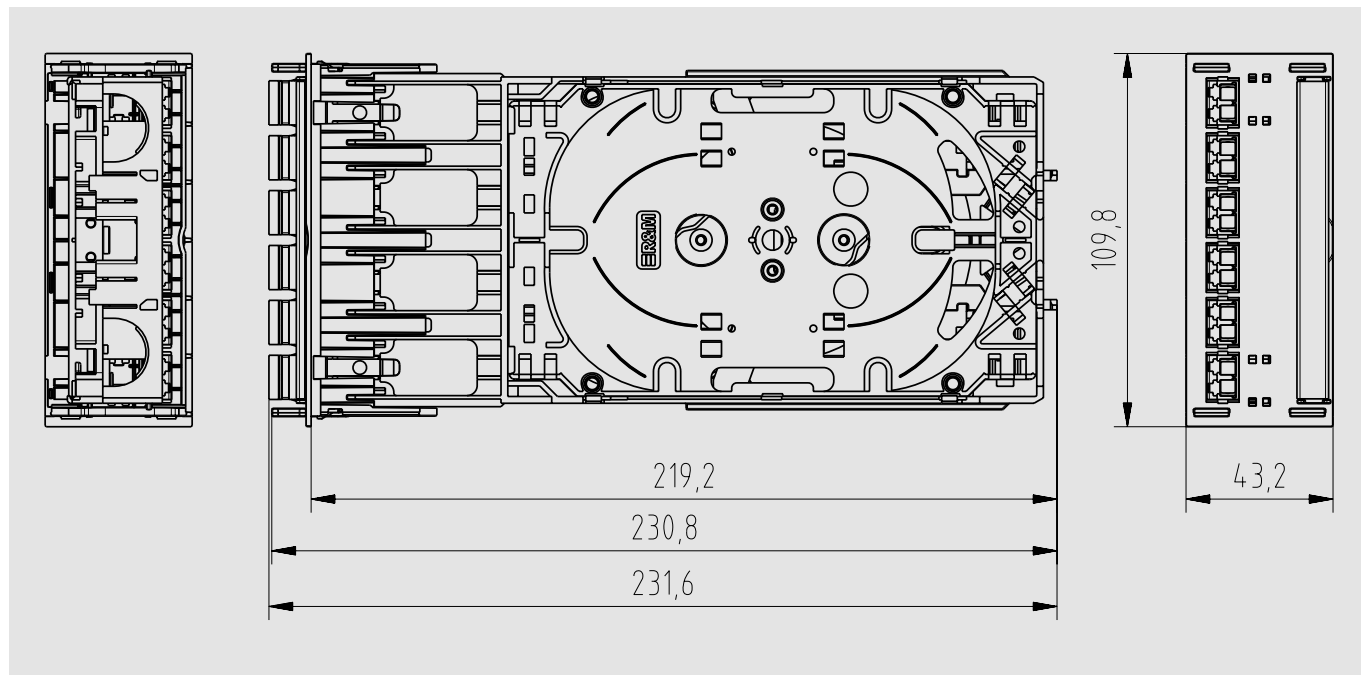
Environmental characteristics

| Criteria | Date / value | Standard |
|-----------------------|-----------------------------------|-----------|
| Operation temperature | -40°C to +70°C | |
| IP protection class | IP20 (protection against contact) | IEC 60529 |

Optical performance

| Optical performance | Date / value |
|---------------------|-----------------------------------|
| Insertion loss (IL) | See specified connector datasheet |
| Return loss (RL) | See specified connector datasheet |

Dimension Splice Version



Dimension Break-Out Version

